

Inhoudsopgave

Aandrijving & PTO As	36
Achteras & Wielen	28
Drijfwerk en stangen & Stuur	52
Elektrische Delen	55
Frame Delen	4
Grasvang Bak	16
Hydrauliek	50
Kappen	40
Kiep Inrichting	20
Maaidek Frame & Wielen	6
Maaier Aandrijving	12
Maai Messen & Aandrijf kasten	14
Motor Diesel & Bevestiging	48
Motor & Filters en Koppeling	44
Mulch Messen	65
Stickers	67
Tank & Zitting en Accu	34
Vooras & Wielen	32



Gianni Ferrari

TG 200



CATALOGO PARTI DI RICAMBIO

CATALOGUE PIECES DETACHEES

SPARE PARTS CATALOGUE

TERSATZTEILKATALOG



COMPOSIZIONE CODICE D'ORDINE

NUMERO DI MATRICOLA ALFANUMERICO DEL TELAIO + CODICE PARTICOLARE DI RICAMBIO

COMPOSITION OF THE ORDER CODE

ALPHANUMERICAL SERIAL NUMBER OF THE FRAME + CODE NUMBER OF THE SPARE PART

COMPOSITION DU CODE DE L'ORDRE

NUMÉRO DE SÉRIE ALPHANUMÉRIQUE DU CHÂSSIS + CODE AU PIÈCE DE RECHANGE

AUFBAU DES BESTELLKODI

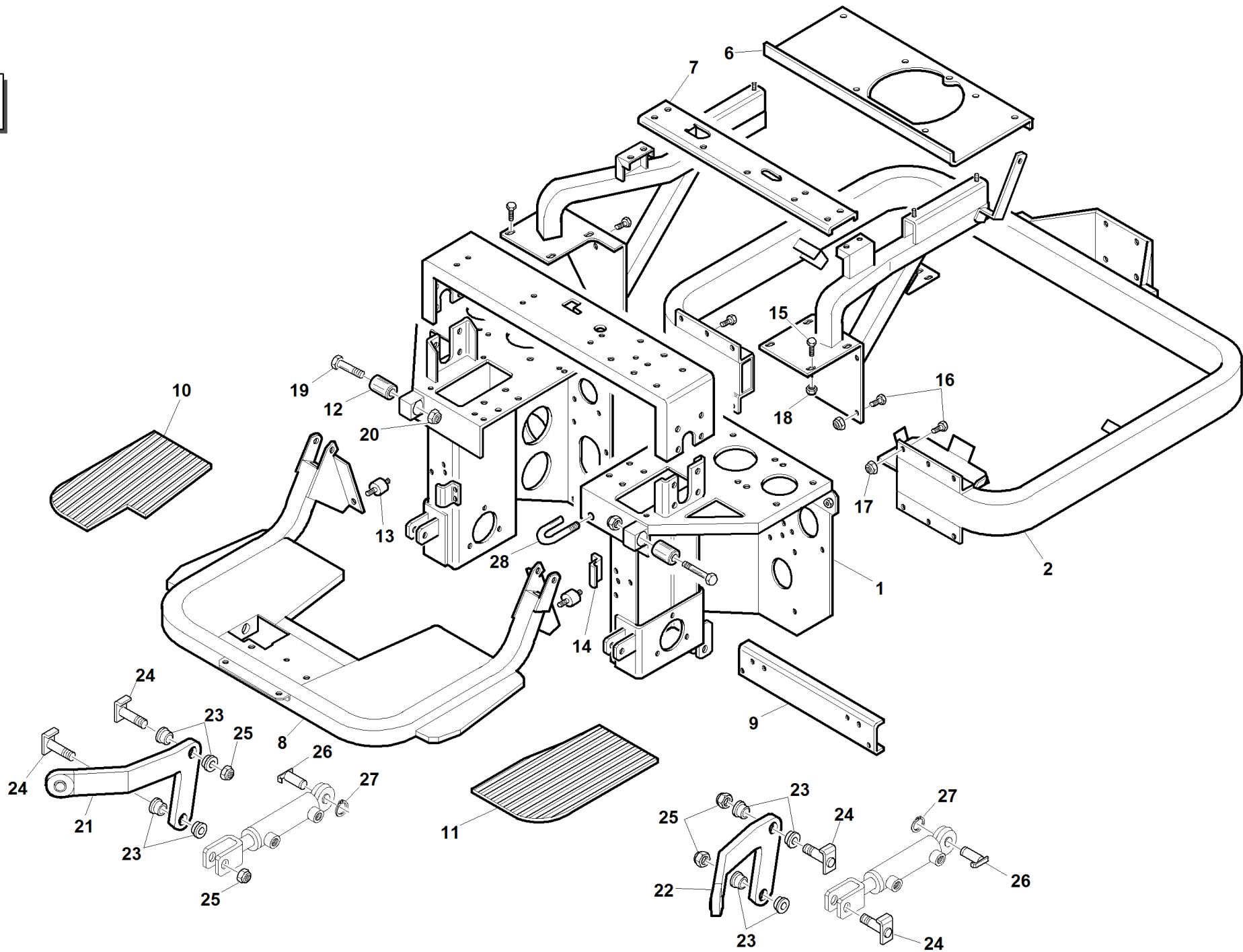
ALPHANUMERISCHE SERIENNUMMER DES GERÜSTES + HINWEIS AUF DAS C

TRICOLA CATALOGO

NUMERO DI MATRICOLA ALFANUMERICO DEL TELAIO
ALPHANUMERICAL SERIAL NUMBER OF THE FRAME
NUMÉRO DE SÉRIE ALPHANUMÉRIQUE DU CHÂSSIS
ALPHANUMERISCHE SERIENNUMMER DES GERÜSTES

XX9999999XXXX
XX99999999XXXX





#

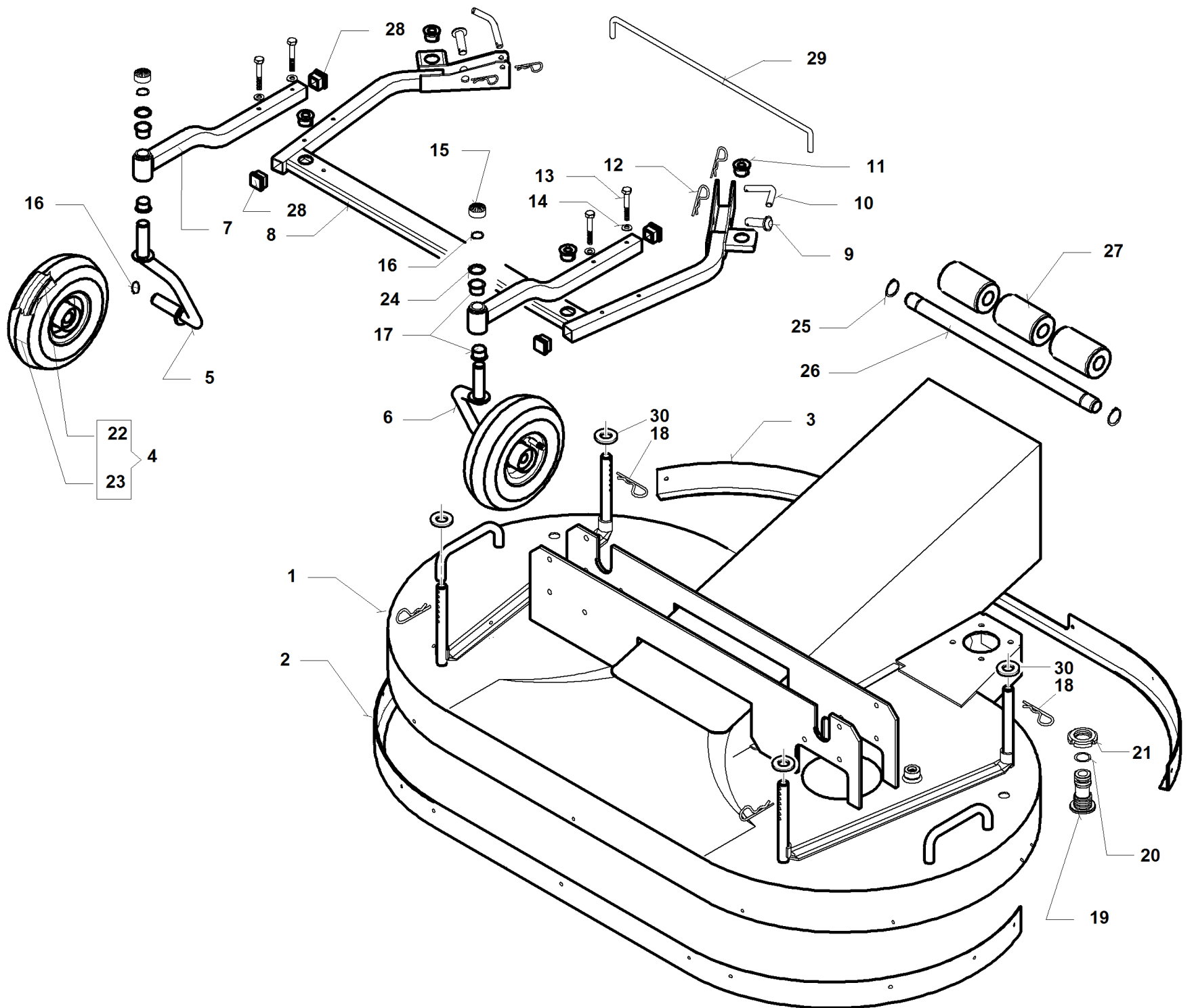
P/N

DESCRIPTION

TG 200

REF. 01- 00555991510

1	94010110000	FRONTAL FRAME		
2	94010430000	TOP 200 LOWER FRAME		
6	94011120000	ENGINE SUPPORT		
7	94010000012	SUPP. SEAT TRANSOM		
8	94010390000	STEERING COLUMN SUPPORT		
9	94010000057	FRONT FRAME CROSS REINFORCEMENT		
10	94010000088	RIGHT FOOTBOARD		
11	94010000089	LEFT FOOTBOARD		
12	00111970121	SUPPORT		
13	00111970119	VIBRATION-DAMPING STOPPER M8 H=20		
14	94010000046	STEERING COLUMN SUPPORT PLATE		
15	00111300044	SCREW TE UNI 5739		
16	00111300052	SCREW TE UNI 5739		
17	00111250014	SELF BL. NUT M8		
18	00111250012	SELF BL. NUT METB 5MA		
19	00111300010	SCREW TE M12X70		
20	00111250008	SELF BL. NUT M12		
21	94010740000	RIGHT LIFTING ARM		
22	94010730000	LEFT LIFTING ARM		
23	94010000013	LIFT ARM BUSHING		
24	94014160000	PIN SUPPORT TROLLEY		
25	00111250005	SELF BL. NUT M14		
26	PZ95060160000	LOWER PIN SUPP. CYLINDER		
27	00111650019	SNAP RING D.16 E		
28	94010000091	CARDAN CHECK DRILL ROD		



#

P/N

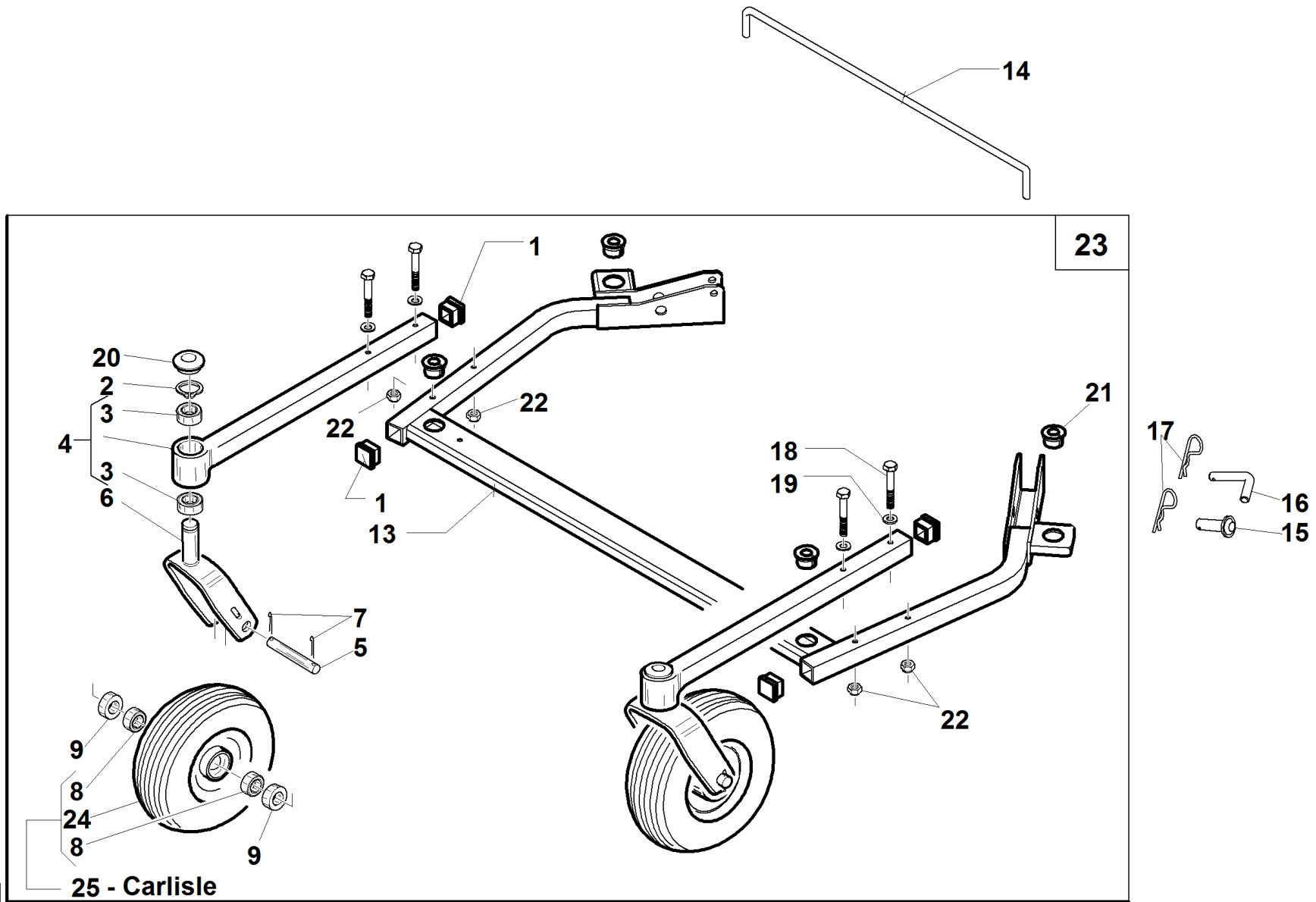
DESCRIPTION

TG 200

REF. 02- 00555991511

1	94014100000	MOWER DECK FRAME
2	95102000001	FRONT 1200 MOWER DECK PROTECTION
3	94014000016	REAR PROTECTION
4	95504200000	NO PROFILE WHEEL 3.00-4
5	95504301000	WHEEL TROLLEY RIGHT FORK
6	95504401000	WHEEL TROLLEY LEFT FORK
7	94014120000	WHEEL SUPPORT
8	94014110000	COMPLETE TROLLEY
9	94014170000	LOCKING TROLLEY PIN
10	94014000009	LOCKING TROLLEY PIN
11	90106000007	TROLLEY BUSHING
12	00111750004	"BETA DECO" SPLIT PIN
13	00111300048	SCREW
14	00111000061	WASHER 8.4X24X2
15	95504000021	COVER FORK
16	00111000057	SNAP RING D.20 E
17	00111990017	BUSHING WITH EDGE TFF 20/16,5
18	00111000175	PIN "R" D.4
19	95566000004	CONNECTION
20	00777230005	OR RING 3043
21	00111170001	SELF METAL RING M17X1
22	00111930004	INNER TUBE 300X4 TR13
23	00111940007	PNEUMATIC 300-4PR
24	00111500011	WASHER 20X30X2
25	00111250002	SELF BL. NUT M12
26	95566110003	REAR WHEEL SHAFT
27	00111970082	NO SCALPING WHEEL
28	00111970125	SQUARE PUSH ROD 30X30-0858-
29	94014000024	GRASS CLEANING HOOK
30	00111000170	WASHER 17X30X3

TG 200

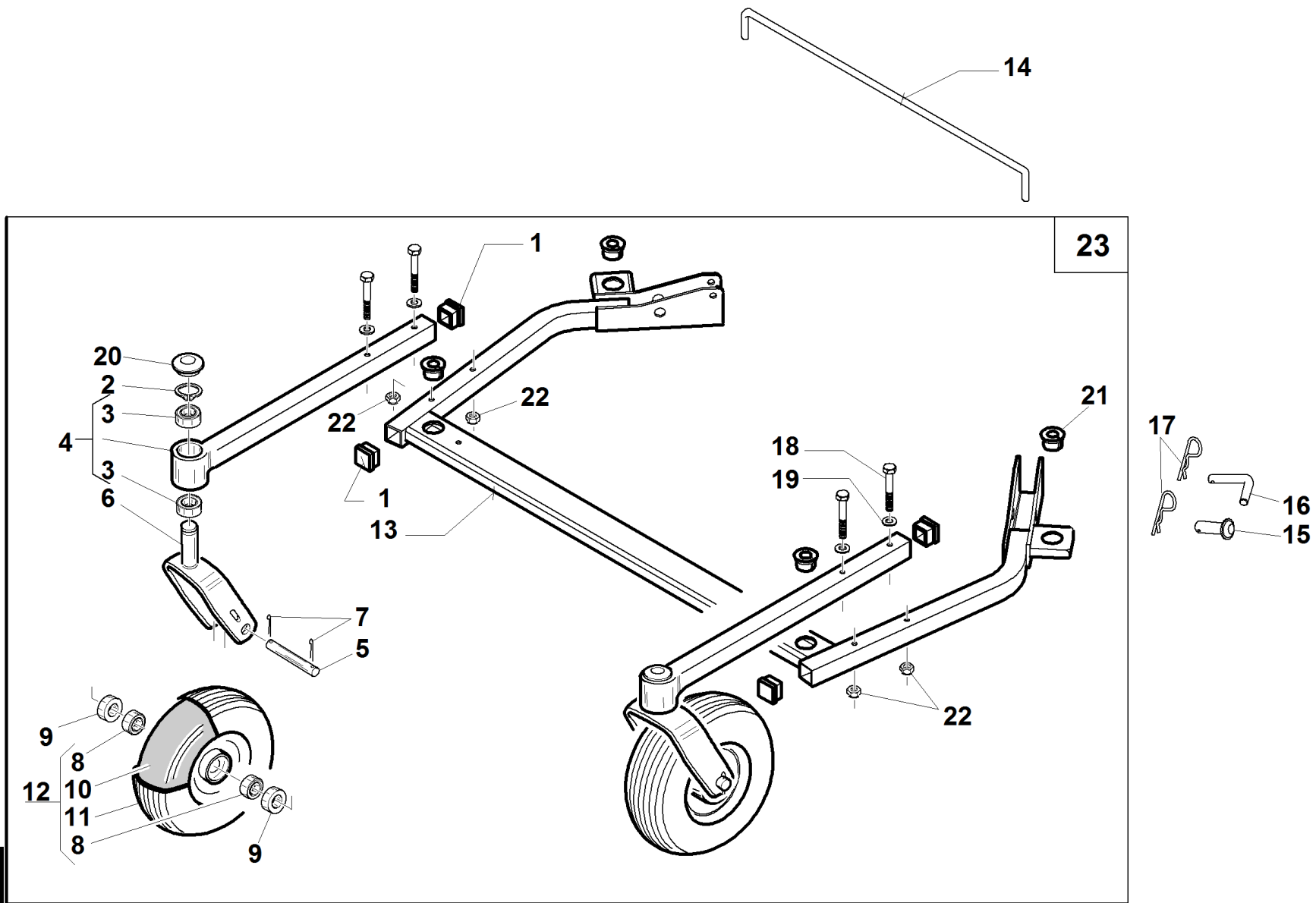


S/N
→0602015

REF.02-1- 00555991537

#	P/N	DESCRIPTION	TG 200	REF. 02-1- 00555991537
1	00111970148	RECTANGULAR PUSH ROD 30x40		
2	00111000057	SNAP RING D.20 E		
3	00777100006	BEARING 6004 2RS 20X42X12		
4	95139204000	WHEEL SUPPORT		
5	95139200001	TROLLEY SHAFT WHEEL		
6	95139201000	WHEEL TROLLEY FORK		
7	00111750005	SPLIT 4X50		
8	00777100008	BEARING 6204 2RS 20x47x14		
9	90110000001	SPACER WHEEL		
13	94014241000	TG 200 TROLLEY FRAME		
14	94014000024	GRASS CLEANING HOOK		
15	95139100003	TROLLEY BLOCKING PIN		
16	94014000009	LOCKING TROLLEY PIN		
17	00111750004	"BETA DECO" SPLIT PIN		
18	00111300058	SCREW TE M8X95		
19	00111000061	WASHER 8.4X24X2		
20	99076000006	BLACK PLUG		
21	90106000007	TROLLEY BUSHING		
22	00111000071	SELF BLO. NUT M8		
23	94014240000	TG 200 TROLLEY		
24	00111940022	8x3.00-4 TYRE		
25	95139205000	FILLED WHEEL 8x3.00-4		

TG 200



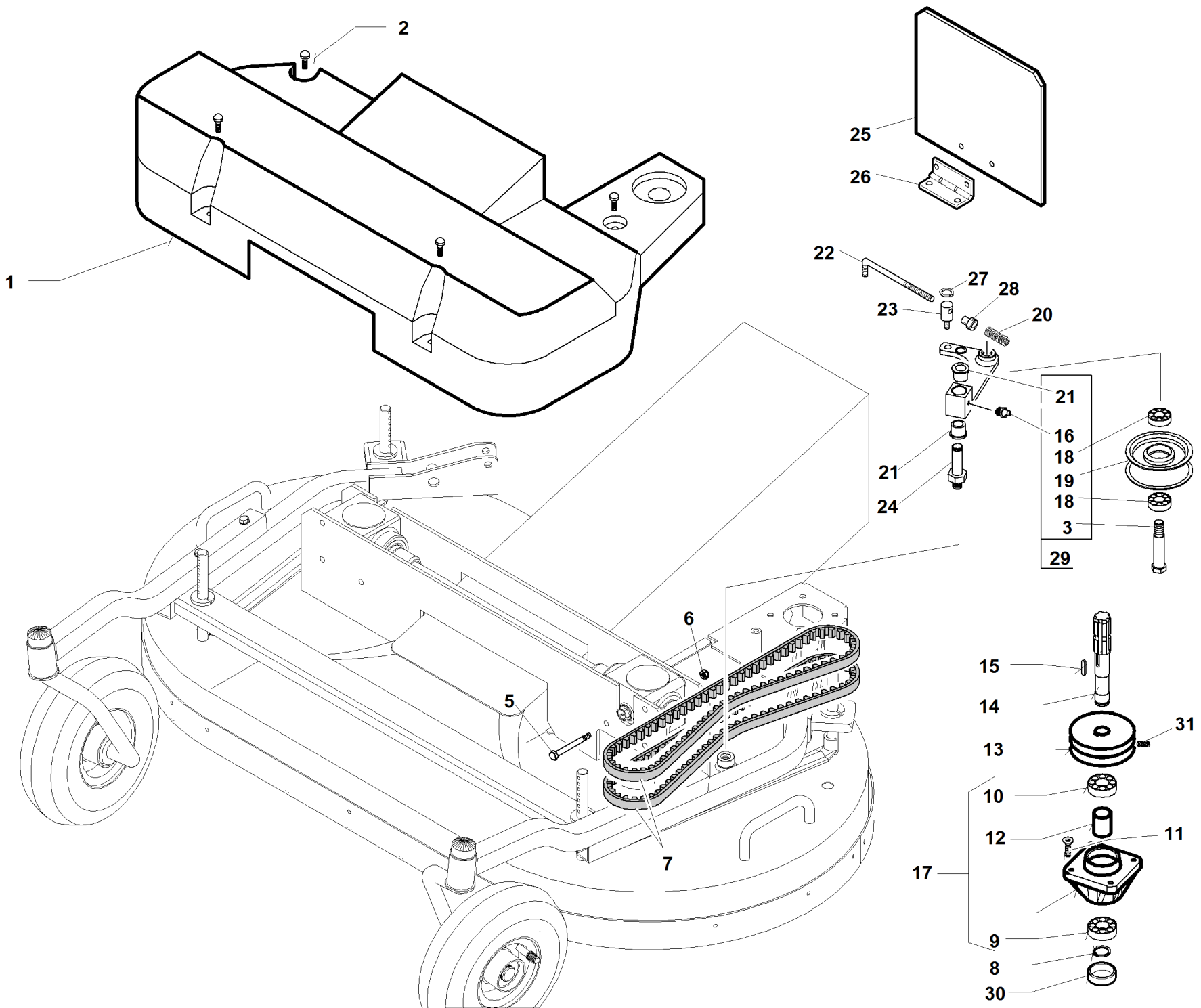
S/N

→01000105÷ 04128112←

→0501001 ÷ 0602014 ←

REF.02-1- 00555991528

#	P/N	DESCRIPTION	TG 200
1	00111970148	RECTANGULAR PUSH ROD 30x40	
2	00111000057	SNAP RING D.20 E	
3	00777100006	BEARING 6004 2RS 20X42X12	
4	95139204000	WHEEL SUPPORT	
5	95139200001	TROLLEY SHAFT WHEEL	
6	95139201000	WHEEL TROLLEY FORK	
7	00111750005	SPLIT 4X50	
8	00777100008	BEARING 6204 2RS 20x47x14	
9	90110000001	SPACER WHEEL	
10	00111930011	INNER TUBE 2.50X4"IS87	
11	00111940019	PNEUMATIC 8.300X4" SL 4PR	
12	95139205000	FILLED WHEEL 8x3.00-4	
13	94014241000	TG 200 TROLLEY FRAME	
14	94014000024	GRASS CLEANING HOOK	
15	95139100003	TROLLEY BLOCKING PIN	
16	94014000009	LOCKING TROLLEY PIN	
17	00111750004	"BETA DECO" SPLIT PIN	
18	00111300058	SCREW TE M8X95	
19	00111000061	WASHER 8.4X24X2	
20	99076000006	BLACK PLUG	
21	90106000007	TROLLEY BUSHING	
22	00111000071	SELF BLO. NUT M8	
23	94014240000	TG 200 TROLLEY	



#

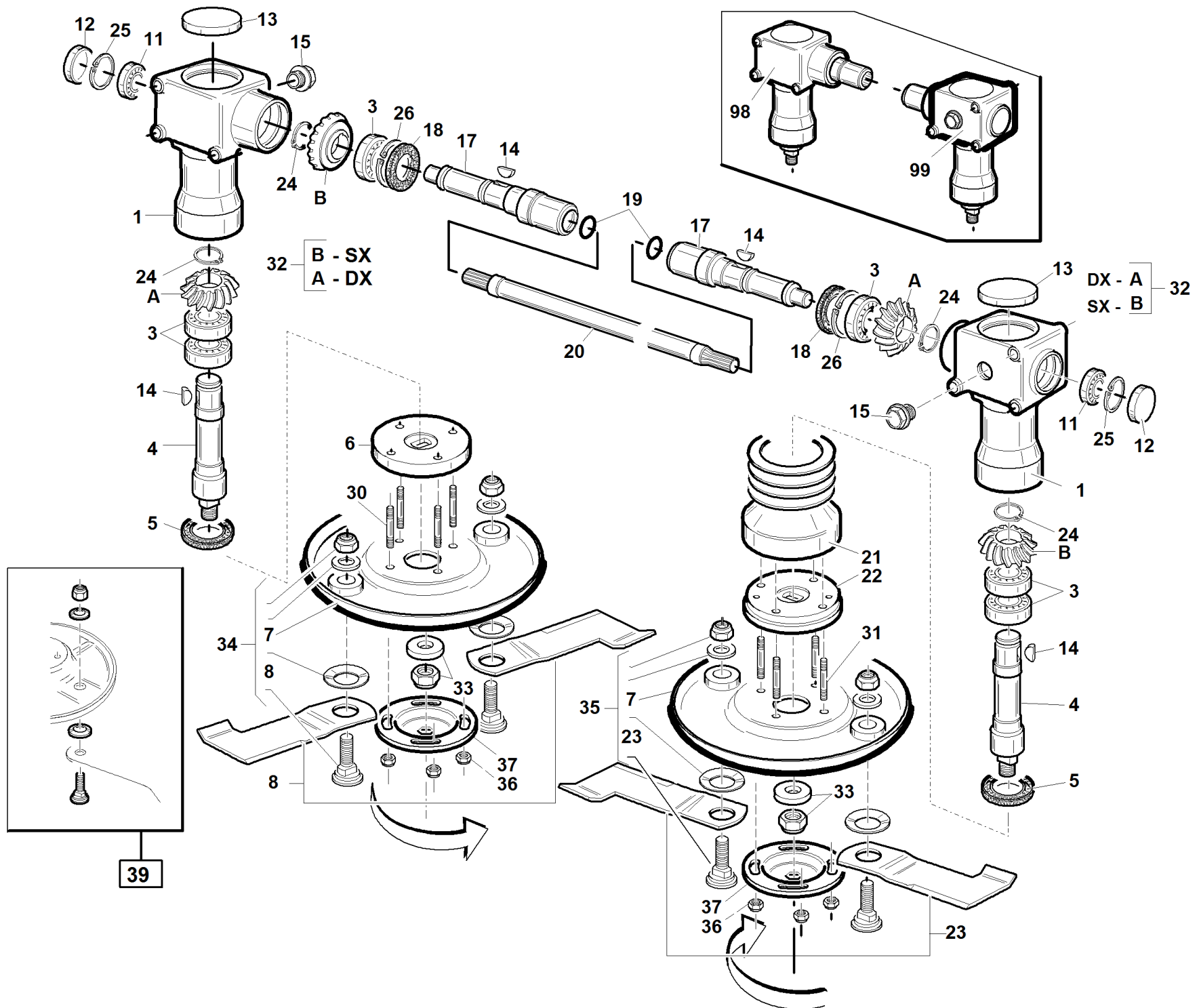
P/N

DESCRIPTION

TG 200

REF. 03-00555991513

1	94014000019	MOWER TIMING CASE
2	00111000059	FAKE SCREW/WASH. M8X14
3	95029000011	THREADED SHAFT M14X1,5
5	00111300032	SCREW TE UNI 5737
6	00111250004	SELF BL. NUT M10
7	00111980020	DAYCO BELT SPAX 1162
8	00111650013	SNAP RING D.20X1,5 E
9	00777100020	KOYO BEARING 6204 2RS
10	00777100006	BEARING 6004 2RS 20X42X12
11	00111350022	SCREW TSPEI M8X30 ZNT
12	95532000019	SPACER 20,2X26 L=38
13	94014000003	CARDAN PULLEY
14	94014000004	CARDAN SHAFT
15	00111900001	TONGUE A 6X6X25
16	00111000036	GREASER M6
17	94502111200	CARDAN SHAFT SUPPORT
18	00777100005	KOYO BEARING 6202 2RS
19	94014000008	TIGHTENER PULLEY
20	95566110002	TIGHTENER REGULATOR SPRING
21	95001000060	BRASS BUSHING
22	94014000021	MOWER BELT TIGHTENER LEVER
23	94010820000	SPRING TENSION DRILL ROD
24	95500150006	TIGHTENER STOP PIN
25	94014000022	STRAP
26	00777580001	HINGE 50X100
27	00111650004	SNAP RING D.15 E
28	00111530001	SYNTHETIZE BUSHING 8X10 L=5.5
29	94014220000	ASSEMBLED TIGHTENER LEVER
30	00777270009	CLOSED CAP 47X8
31	00111960002	GRUB M8X16



#

P/N

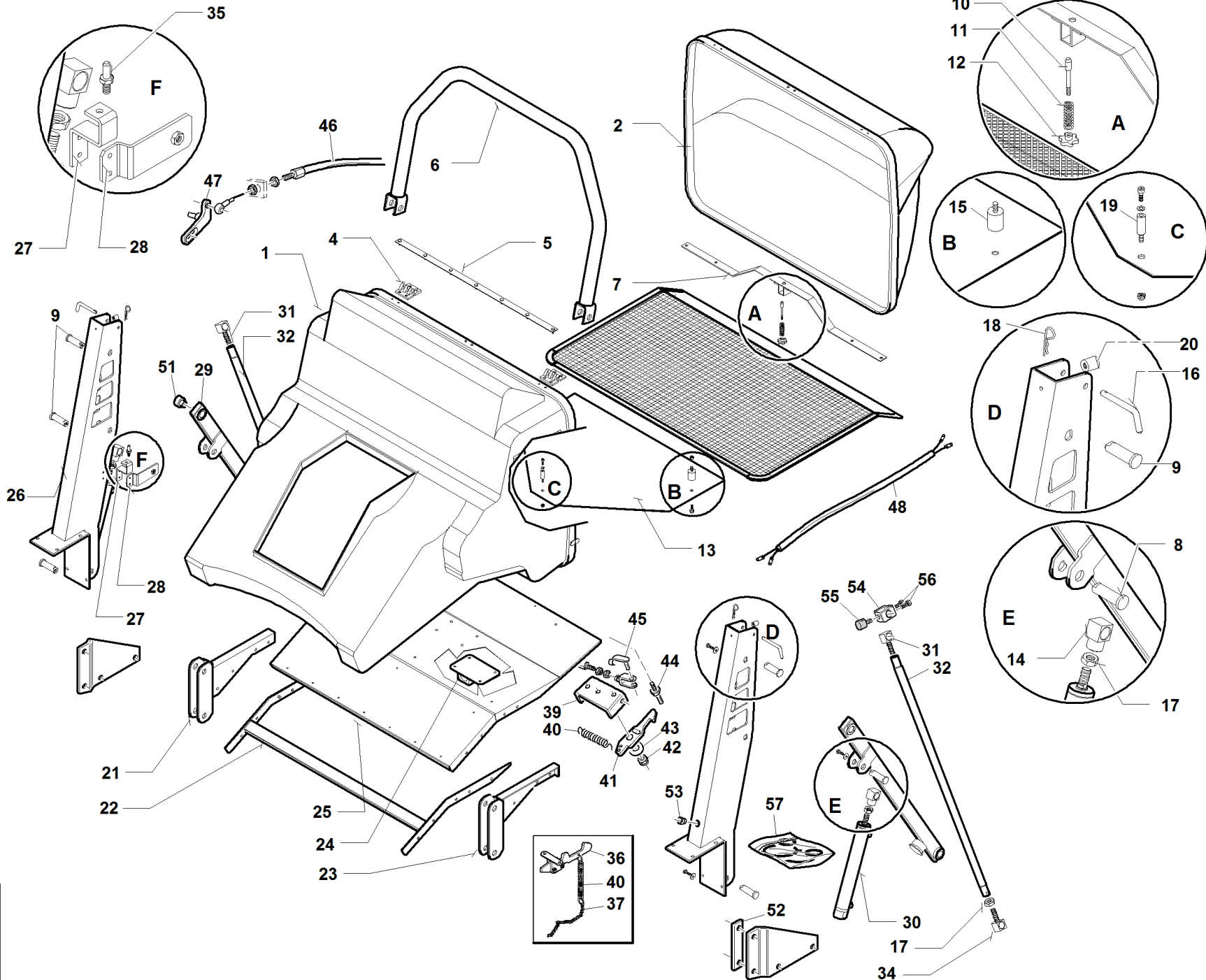
DESCRIPTION

TG 200

REF. 04- 0055991512

1	00777305503	GEAR CASE 2 OUTPUT		
3	00777100017	KOYO BEARING 6205		
4	00777305501	CUTTER BLOCK SHAFT		
5	00777250022	"VITON" SEAL WASHER 38X52X7		
6	94014000015	RIGHT PULLEY SUPPORT		
7	94014180000	BLADES DISC D=340		
7	94014201000	TG 200 BLADES DISC		
8	91100190000	COUPLE RIGHT REENTERING BLADE L=175		
11	00777100041	KOYO BEARING 6302		
12	00777270007	CLOSED CAP 42X7		
13	00777270001	CLOSED CAP 62X7		
14	00777305203	SPECIAL TONGUE		
15	95599670000	PLUG 3/8		
17	00777305504	KEYED SHAFT		
18	00777250017	SEAL WASHER 35X52X7		
19	00777230006	OR RING 3081		
20	94014000005	SHAFT		
21	94014000006	MOWER BELT PULLEY		
22	94014000013	LEFT PULLEY SUPPORT		
23	91100200000	COUPLE LEFT REENTERING BLADE L=175		
24	00111650013	SNAP RING D.20X1,5 E		
25	00111650002	SNAP RING D.42 I		
26	00111650009	SNAP RING D.52 I		
27	00777305503	GEAR CASE 2 OUTPUT		
28	00777305503	GEAR CASE 2 OUTPUT		
30	00111320001	STUD BOLT M8X16		
31	00111320002	STUD BOLT M8X30		
32	00777306000	ELIC. BEVEL GEAR PAIR		
33	95599180000	NUT + SPACER		
34	94014200000	TG200 RIGHT BLADES DISC		
35	94014210000	TG200 LEFT BLADES DISC		
36	00111250021	8MA METB NUT		
37	94014000025	BLADES SHAFT COVER		
39	95599320000	COMPLETE BLADE SCREW TG200 AND GT		
98	00777305600	RIGHT GEAR BOX 2 OUTPUT		
99	00777305500	LEFT GEAR BOX 2 OUTPUT		

TG 200



S/N
→ **0511018**

REF. 05-00555991538

#

P/N

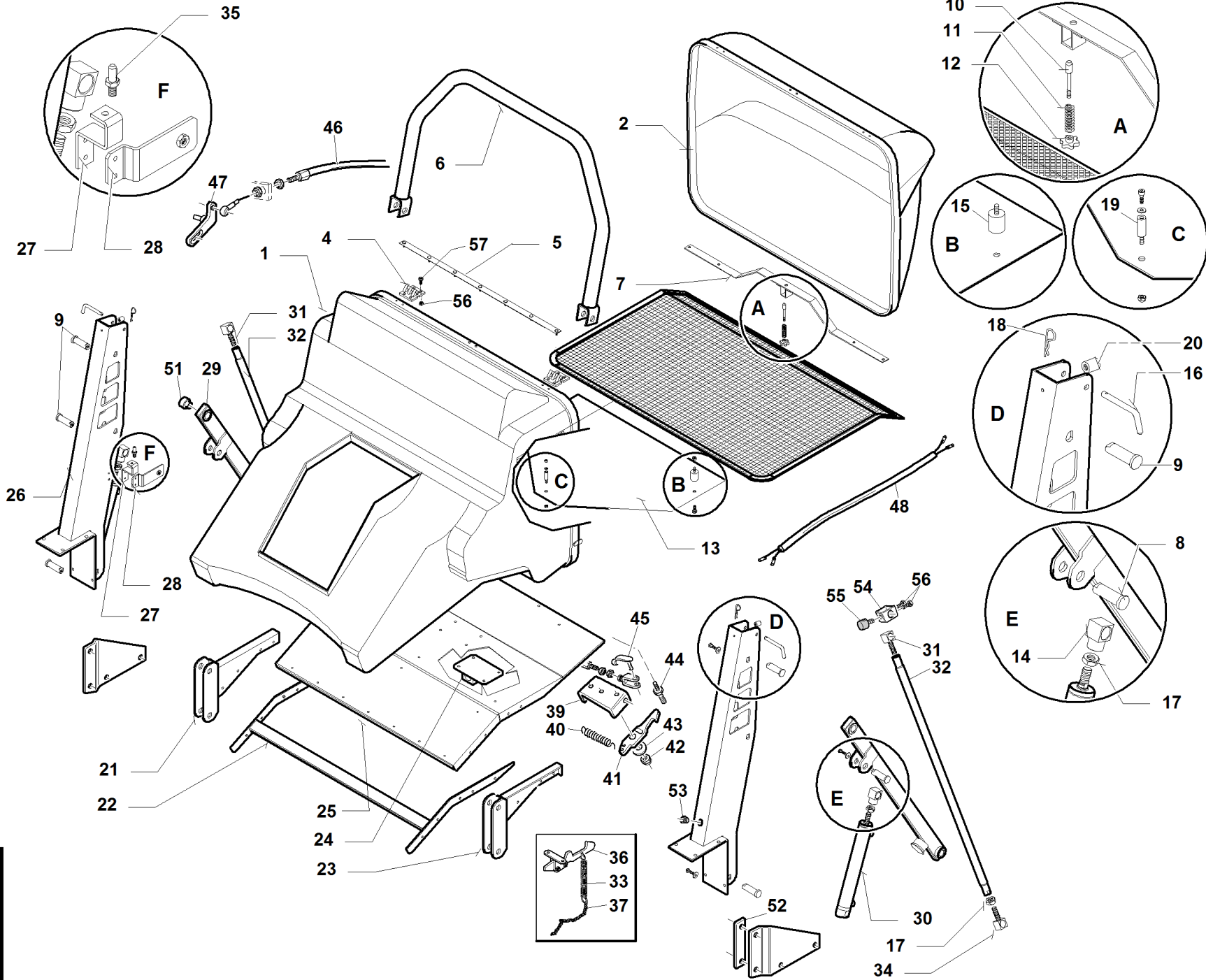
DESCRIPTION

TG 200

REF. 05-00555991538

1	94010090000	ASSEMBLED TG200 HOPPER
2	94010080000	ASSEMBLED TG200 COLLECTOR COVER
3	94010960000	TG 200 COLLECTOR EXTRACTABLE GRID
4	00111970136	METAL HING
5	94013170000	REINFORCEMENT SHEET
6	94013160000	COMPLETE ROLLBAR
7	94010850000	LOCKING GRID SUPPORT
8	94010000059	ROD FIXING PIN
9	94010000060	CYLINDER FIXING PIN
10	94010840001	THREADED SHAFT M6
11	94010000097	SPRING PR F.1-8.5-40-11 TDM INOX
12	00111970014	KNOB M6
13	94010960001	HOPPER GRID PROTECTION SHEET
14	94010000048	THREADED BUSH M16X1.5
15	90106000009	VIBRATIONS-DUMPING SUPPORT
16	95125000010	ROLLBAR PIN
17	00111150011	NUT 5589 M20X1.5
18	00111750004	"BETA DECO" SPLIT PIN
19	94010000104	TUBE
20	00111970118	VIBRATION-DAMPING STOPPER M6 F H=31
21	94010450000	RIGHT HOPPER SUPPORT
22	94010810000	SHEET REINFORCEMENT
23	94010460000	LEFT HOPPER SUPPORT
24	94013100000	HOPPER PIN SUPPORT
25	94017220000	HOPPER SUPPORT PLATE
26	94010410000	OVERTURNING HOPPER COLUMN
27	94010890000	HOOD FIXING BRACKET
28	94010650000	PANEL FRONT FIXING BRACKET
29	94010420000	RIGHT LOWER ARM
30	94013150000	CYLINDER
31	94017000003	BUSHING M20X1.5 LEFT
32	94013000014	OVERTURNING HOPPER TIE ROD
34	94013000015	BUSHING M20X1.5
35	95048100011	HOOD STOP PIN
36	95101120000	LONG HOPPER CLOSING HOOK
37	94010000101	CHAIN TYPE 14-27 LAPS
39	94017190000	HOOK SUPPORT
40	94017000009	HOPPER SPRING
41	94017000008	CLOSING HOPPER HOOK
42	00111000080	SELF BLO. SCREW M10
43	00111000070	WASHER P. 11X30X2.5 ZNT
44	94017000007	CLOSER HOPPER DRILL ROD
45	00777180001	FORKED PIN D.8
46	94013220000	TG 200 OPEN HOPPER CABLE
47	94017120000	OPEN HOPPER LEVER
48	94017250000	HOPPER WIRED MICRO EXTENSION
51	00111970053	CABLE HOLDER W8 D20 GREEN
52	94013230000	REINFORCEMENT FIXING PLATE
53	00111970128	FAIRLEAD UPRIGHT
54	94010830000	COLLECTOR PLUG SUPPORT
55	00111970005	VIBRATION-DAMPING STOPPER M10
56	00111960008	
57	95599270000	CYLINDER GASKET KIT

TG 200



S/N
 → 01000105 ÷ 04128112 ←
 → 0501001 ÷ 0511017 ←

REF.05-00555991514

#

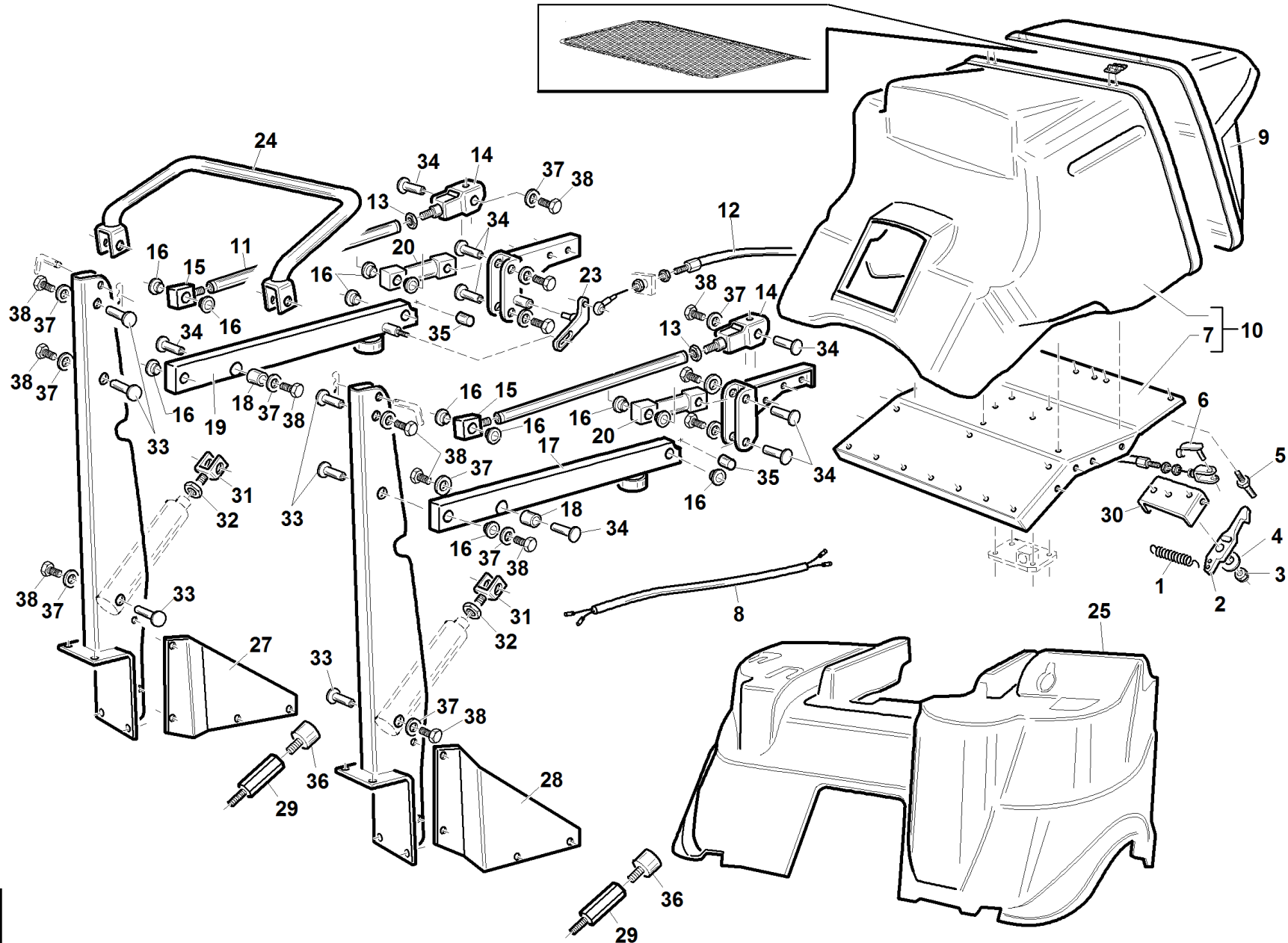
P/N

DESCRIPTION

TG 200

REF. 05-0055991514

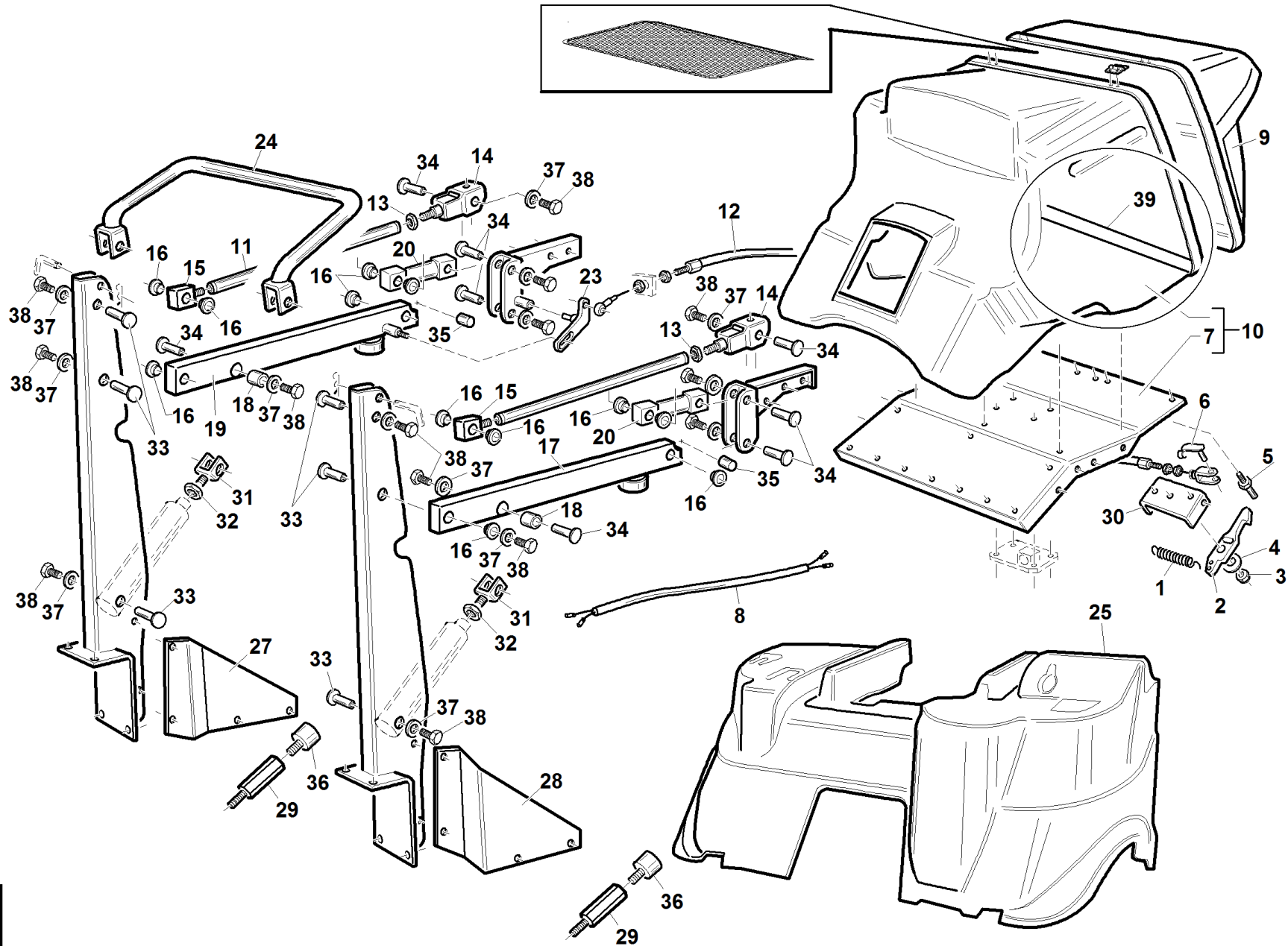
1	94010090000	ASSEMBLED TG200 HOPPER
2	94010080000	ASSEMBLED TG200 COLLECTOR COVER
3	94010960000	TG 200 COLLECTOR EXTRACTABLE GRID
4	00111970136	METAL HING
5	94013170000	REINFORCEMENT SHEET
6	94013160000	COMPLETE ROLLBAR
7	94010850000	LOCKING GRID SUPPORT
8	94010000059	ROD FIXING PIN
9	94010000060	CYLINDER FIXING PIN
10	94010840001	THREADED SHAFT M6
11	94010000097	SPRING PR F.1-8.5-40-11 TDM INOX
12	00111970014	KNOB M6
13	94010960001	HOPPER GRID PROTECTION SHEET
14	94010000048	THREADED BUSH M16X1.5
15	90106000009	VIBRATIONS-DUMPING SUPPORT
16	95125000010	ROLLBAR PIN
17	00111150005	NUT M16X1.5
17	00111150011	NUT 5589 M20X1.5
18	00111750004	"BETA DECO" SPLIT PIN
19	94010000104	TUBE
20	00111970118	VIBRATION-DAMPING STOPPER M6 F H=31
21	94010450000	RIGHT HOPPER SUPPORT
22	94010810000	SHEET REINFORCEMENT
23	94010460000	LEFT HOPPER SUPPORT
24	94013100000	HOPPER PIN SUPPORT
25	94017220000	HOPPER SUPPORT PLATE
26	94010410000	OVERTURNING HOPPER COLUMN
27	94010890000	HOOD FIXING BRACKET
28	94010650000	PANEL FRONT FIXING BRACKET
29	94010420000	RIGHT LOWER ARM
30	94013150000	CYLINDER
31	94010000058	THREADED BUSH M16X1.5 LEFT
31	94017000003	BUSHING M20X1.5 LEFT
32	94010000061	OVERTURNING HOPPER TIE ROD
32	94013000014	OVERTURNING HOPPER TIE ROD
33	94014000023	ENCLOSING HOPPER SPRING
34	94010000075	THREADED BUSH M16X1.5
34	94013000015	BUSHING M20X1.5
35	95048100011	HOOD STOP PIN
36	95101120000	LONG HOPPER CLOSING HOOK
37	94010000101	CHAIN TYPE 14-27 LAPS
39	94017190000	HOOK SUPPORT
40	94017000009	HOPPER SPRING
41	94017000008	CLOSING HOPPER HOOK
42	00111000080	SELF BLO. SCREW M10
43	00111000070	WASHER P. 11X30X2.5 ZNT
44	94017000007	CLOSER HOPPER DRILL ROD
45	00777180001	FORKED PIN D.8
46	94013220000	TG 200 OPEN HOPPER CABLE
47	94017120000	OPEN HOPPER LEVER
48	94017250000	HOPPER WIRED MICRO EXTENSION
51	00111970053	CABLE HOLDER W8 D20 GREEN
52	94013230000	REINFORCEMENT FIXING PLATE
53	00111970128	FAIRLEAD UPRIGHT
54	94010830000	COLLECTOR PLUG SUPPORT
55	00111970005	VIBRATION-DAMPING STOPPER M10
56	00111250012	SELF BL. NUT METB 5MA
57	00111350011	SCREW TSPEI M5X20



S/N
→0511018

REF.05-1- 00555991539

#	P/N	DESCRIPTION	TG 200	REF. 05-1- 00555991539
1	94017000009	HOPPER SPRING		
2	94017000008	CLOSING HOPPER HOOK		
3	00111000080	SELF BLO. SCREW M10		
4	00111000070	WASHER P. 11X30X2.5 ZNT		
5	94017000007	CLOSER HOPPER DRILL ROD		
6	00777180001	FORKED PIN D.8		
7	94017220000	HOPPER SUPPORT PLATE		
8	94017250000	HOPPER WIRED MICRO EXTENSION		
9	94010080000	ASSEMBLED TG200 COLLECTOR COVER		
10	94010090000	ASSEMBLED TG200 HOPPER		
12	94017200000	OPEN HOPPER CABLE		
13	00111150011	NUT 5589 M20X1.5		
14	94017100000	TG 200 ARM FORK		
15	94017000003	BUSHING M20X1.5 LEFT		
16	00111990017	BUSHING WITH EDGE TFF 20/16,5		
17	94017340000			
18	00111530004	SYNTHETIZE BUSHING 20/23/30		
19	94017350000			
20	94017000001	TG 200 ARTICULATED ARM		
23	94017120000	OPEN HOPPER LEVER		
24	94017210000	COMPLETE ROLL BAR		
25	94013240000	MUDGUARD		
27	94017000004	RIGHT REINFORCEMENT HIGH DUMP		
28	94017000005	LEFT REINFORCEMENT HIGH DUMP		
29	94017000006	PLUG SPACER		
30	94017190000	HOOK SUPPORT		
31	94017130000	FORK CYLINDER		
32	00111150005	NUT M16X1.5		
33	94010000060	CYLINDER FIXING PIN		
34	94010000059	ROD FIXING PIN		
35	00111870003	PIN CYLIND. 12X28		
36	00111970005	VIBRATION-DAMPING STOPPER M10		
37	00111000061	WASHER 8.4X24X2		
38	00111000081	SCREW TE M8X16		
39	94010080002	TG200 PLATE		



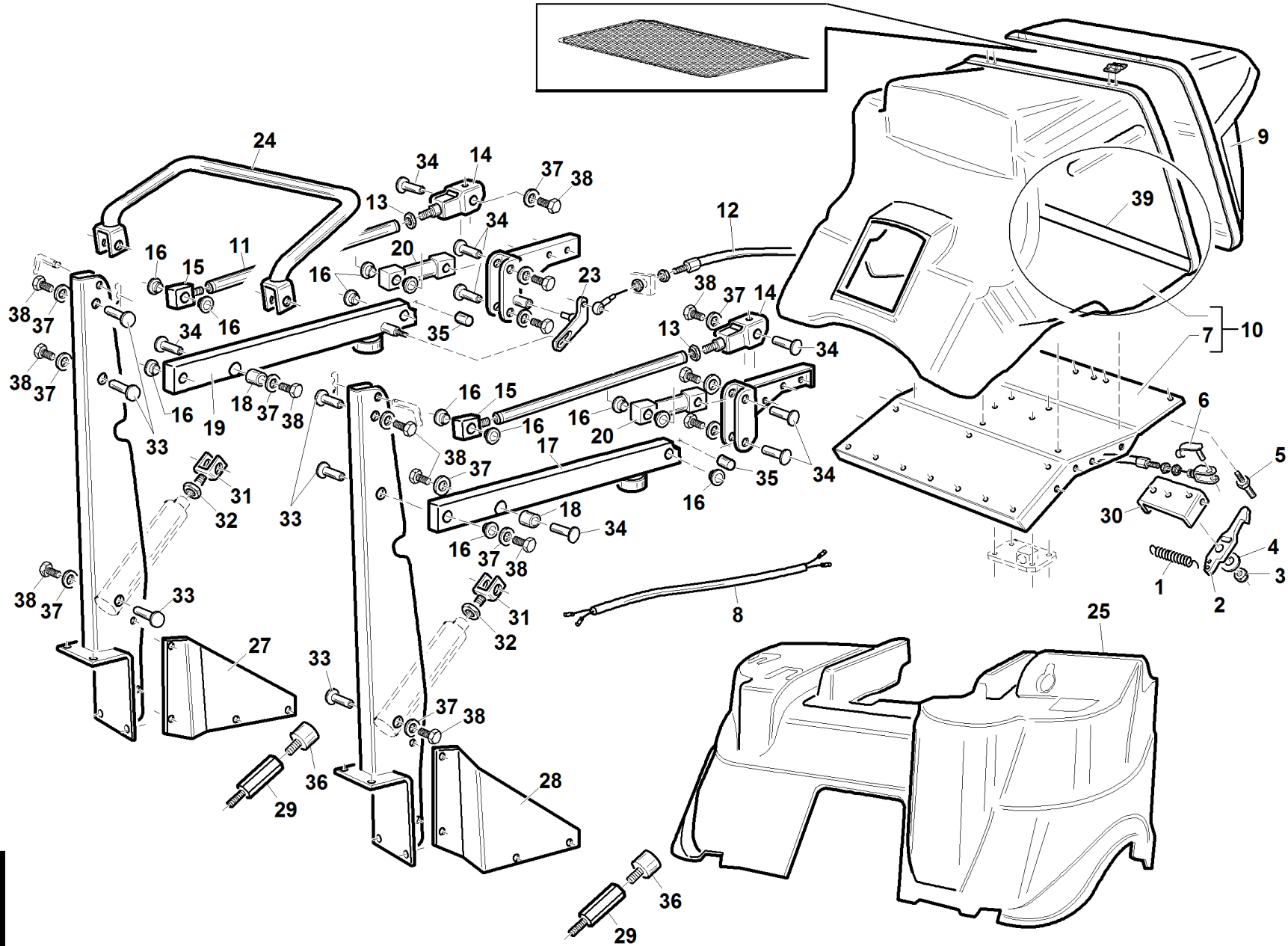
S/N

→02069512÷ 04124209←

REF.05-1- 00555991535

#	P/N	DESCRIPTION	TG 200	REF. 05-1- 00555991535
1	94017000009	HOPPER SPRING		
2	94017000008	CLOSING HOPPER HOOK		
3	00111000080	SELF BLO. SCREW M10		
4	00111000070	WASHER P. 11X30X2.5 ZNT		
5	94017000007	CLOSER HOPPER DRILL ROD		
6	00777180001	FORKED PIN D.8		
7	94017220000	HOPPER SUPPORT PLATE		
8	94017250000	HOPPER WIRED MICRO EXTENSION		
9	94010970000	TG 200 COLLECTOR COVER		
10	94010090000	ASSEMBLED TG200 HOPPER		
12	94017200000	OPEN HOPPER CABLE		
13	00111150011	NUT 5589 M20X1.5		
14	94017100000	TG 200 ARM FORK		
15	94017000003	BUSHING M20X1.5 LEFT		
16	00111990017	BUSHING WITH EDGE TFF 20/16,5		
17	94017340000			
18	00111530004	SYNTHETIZE BUSHING 20/23/30		
19	94017350000			
20	94017000001	TG 200 ARTICULATED ARM		
23	94017120000	OPEN HOPPER LEVER		
24	94017210000	COMPLETE ROLL BAR		
25	94013240000	MUDGUARD		
27	94017000004	RIGHT REINFORCEMENT HIGH DUMP		
28	94017000005	LEFT REINFORCEMENT HIGH DUMP		
29	94017000006	PLUG SPACER		
30	94017190000	HOOK SUPPORT		
31	94017130000	FORK CYLINDER		
32	00111150005	NUT M16X1.5		
33	94010000060	CYLINDER FIXING PIN		
34	94010000059	ROD FIXING PIN		
35	00111870003	PIN CYLIND. 12X28		
36	00111970005	VIBRATION-DAMPING STOPPER M10		
37	00111000061	WASHER 8.4X24X2		
38	00111000081	SCREW TE M8X16		
39	94010080002	TG200 PLATE		

TG 200



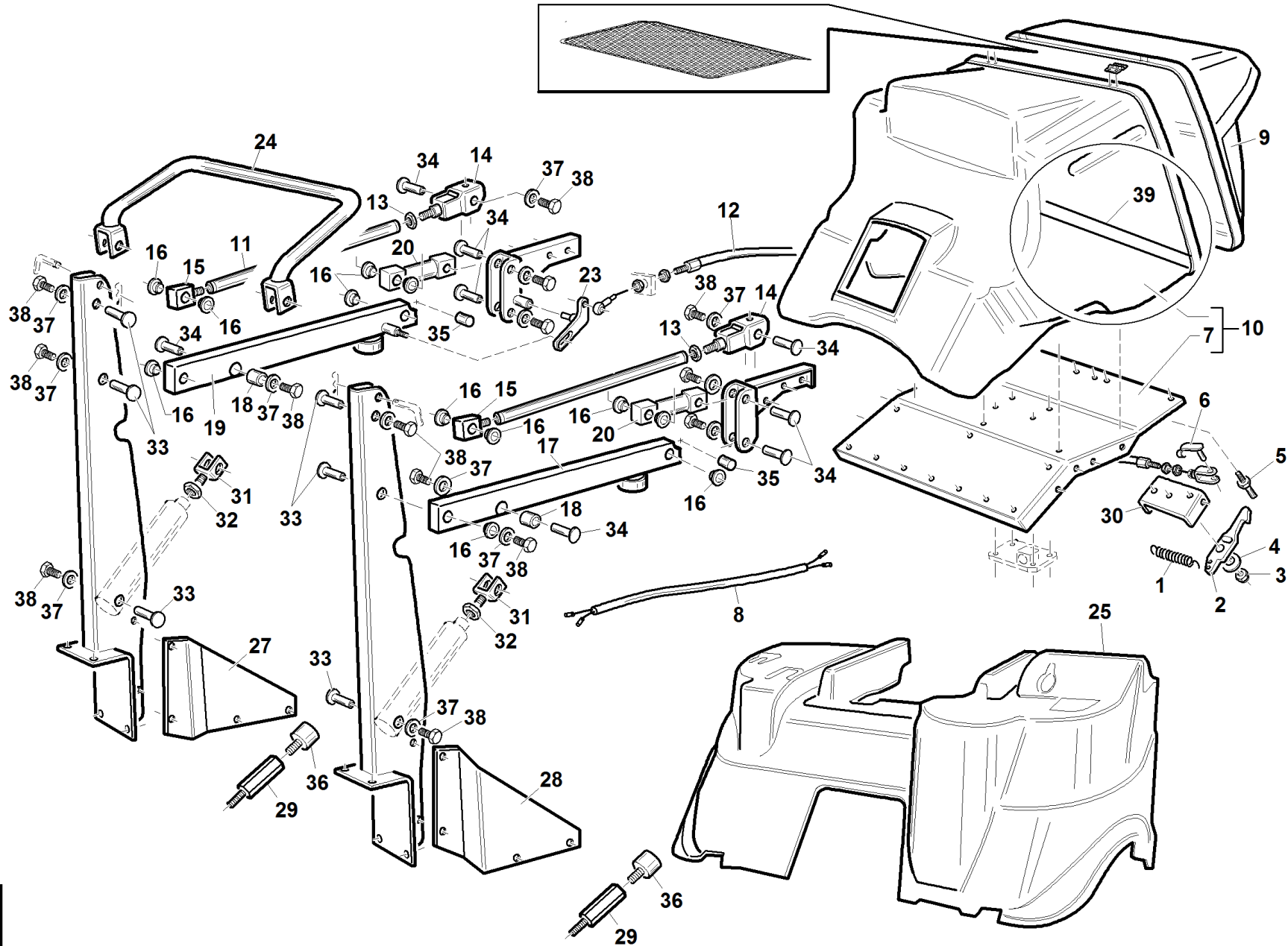
S/N

→ 04124210 ÷ 04128112 ←

→ 0501001 ÷ 0511017 ←

REF.05-1- 00555991532

#	P/N	DESCRIPTION	TG 200	REF. 05-1- 00555991532
1	94017000009	HOPPER SPRING		
2	94017000008	CLOSING HOPPER HOOK		
3	00111000080	SELF BLO. SCREW M10		
4	00111000070	WASHER P. 11X30X2.5 ZNT		
5	94017000007	CLOSER HOPPER DRILL ROD		
6	00777180001	FORKED PIN D.8		
7	94017220000	HOPPER SUPPORT PLATE		
8	94017250000	HOPPER WIRED MICRO EXTENSION		
9	94010970000	TG 200 COLLECTOR COVER		
10	94010090000	ASSEMBLED TG200 HOPPER		
12	94017200000	OPEN HOPPER CABLE		
13	00111150011	NUT 5589 M20X1.5		
14	94017100000	TG 200 ARM FORK		
15	94017000003	BUSHING M20X1.5 LEFT		
16	00111990017	BUSHING WITH EDGE TFF 20/16,5		
17	94017340000			
18	00111530004	SYNTHETIZE BUSHING 20/23/30		
19	94017350000			
20	94017000001	TG 200 ARTICULATED ARM		
23	94017120000	OPEN HOPPER LEVER		
24	94017210000	COMPLETE ROLL BAR		
25	94013240000	MUDGUARD		
27	94017000004	RIGHT REINFORCEMENT HIGH DUMP		
28	94017000005	LEFT REINFORCEMENT HIGH DUMP		
29	94017000006	PLUG SPACER		
30	94017190000	HOOK SUPPORT		
31	94017130000	FORK CYLINDER		
32	00111150005	NUT M16X1.5		
33	94010000060	CYLINDER FIXING PIN		
34	94010000059	ROD FIXING PIN		
35	00111870003	PIN CYLIND. 12X28		
36	00111970005	VIBRATION-DAMPING STOPPER M10		
37	00111000061	WASHER 8.4X24X2		
38	00111000081	SCREW TE M8X16		
39	94010080002	TG200 PLATE		



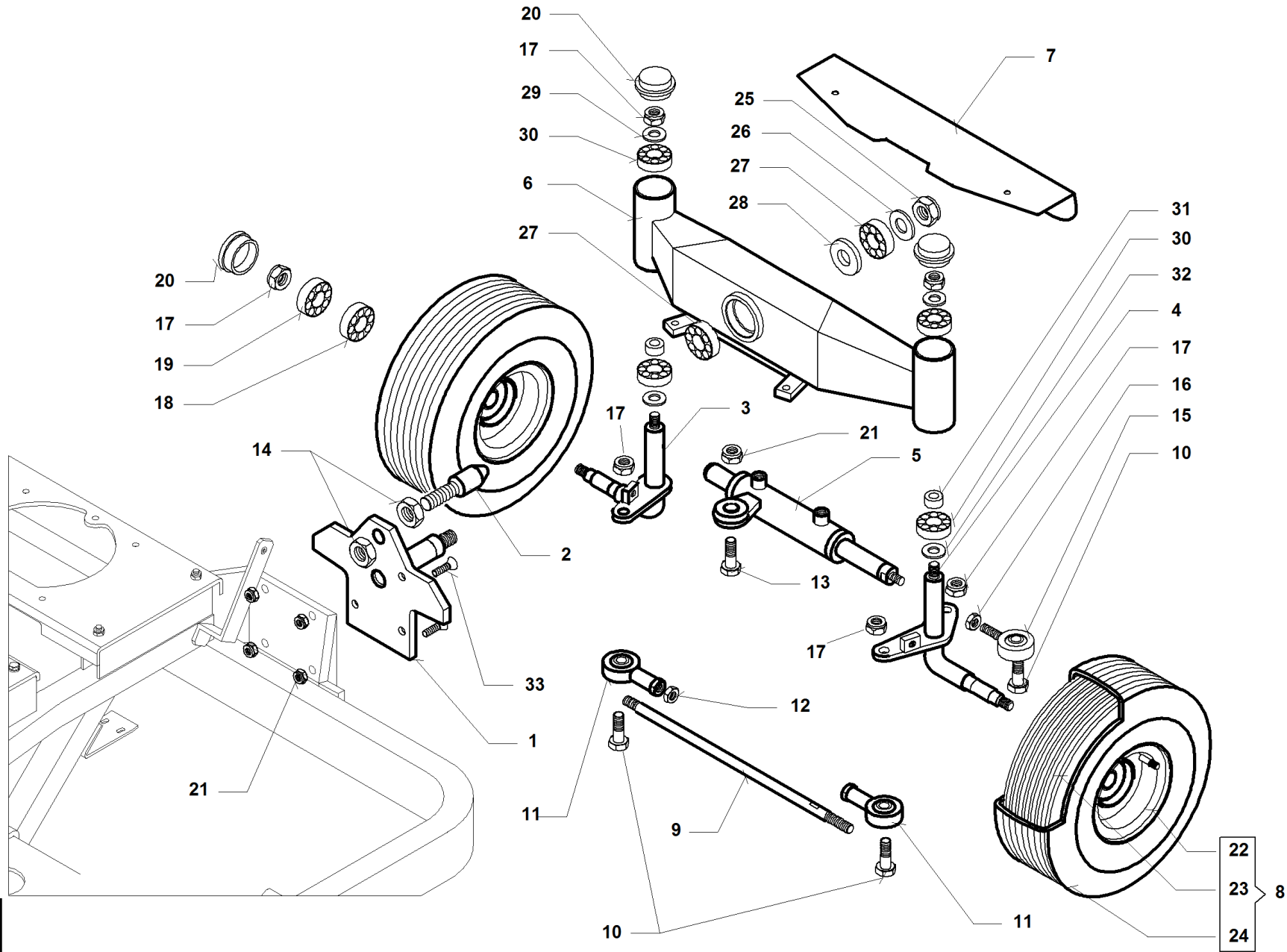
S/N

→01000105÷ 02069511←

REF.05-1- 00555991525

#	P/N	DESCRIPTION	TG 200	REF. 05-1- 00555991525
1	94017000009	HOPPER SPRING		
2	94017000008	CLOSING HOPPER HOOK		
3	00111000080	SELF BLO. SCREW M10		
4	00111000070	WASHER P. 11X30X2.5 ZNT		
5	94017000007	CLOSER HOPPER DRILL ROD		
6	00777180001	FORKED PIN D.8		
7	94017220000	HOPPER SUPPORT PLATE		
8	94017250000	HOPPER WIRED MICRO EXTENSION		
9	94010970000	TG 200 COLLECTOR COVER		
10	94010090000	ASSEMBLED TG200 HOPPER		
12	94017200000	OPEN HOPPER CABLE		
13	00111150011	NUT 5589 M20X1.5		
14	94017100000	TG 200 ARM FORK		
15	94017000003	BUSHING M20X1.5 LEFT		
16	00111990017	BUSHING WITH EDGE TFF 20/16,5		
17	94017180000	LEFT LOWER ARM		
18	00111530004	SYNTHETIZE BUSHING 20/23/30		
19	94017170000	RIGHT LOWER ARM		
20	94017000001	TG 200 ARTICULATED ARM		
23	94017120000	OPEN HOPPER LEVER		
24	94017210000	COMPLETE ROLL BAR		
25	94013240000	MUDGUARD		
27	94017000004	RIGHT REINFORCEMENT HIGH DUMP		
28	94017000005	LEFT REINFORCEMENT HIGH DUMP		
29	94017000006	PLUG SPACER		
30	94017190000	HOOK SUPPORT		
31	94017130000	FORK CYLINDER		
32	00111150005	NUT M16X1.5		
33	94010000060	CYLINDER FIXING PIN		
34	94010000059	ROD FIXING PIN		
35	00111870003	PIN CYLIND. 12X28		
36	00111970005	VIBRATION-DAMPING STOPPER M10		
37	00111000061	WASHER 8.4X24X2		
38	00111000081	SCREW TE M8X16		
39	94010080002	TG200 PLATE		

TG 200



S/N
→ **0507010**

REF.06- 00555991540

#

P/N

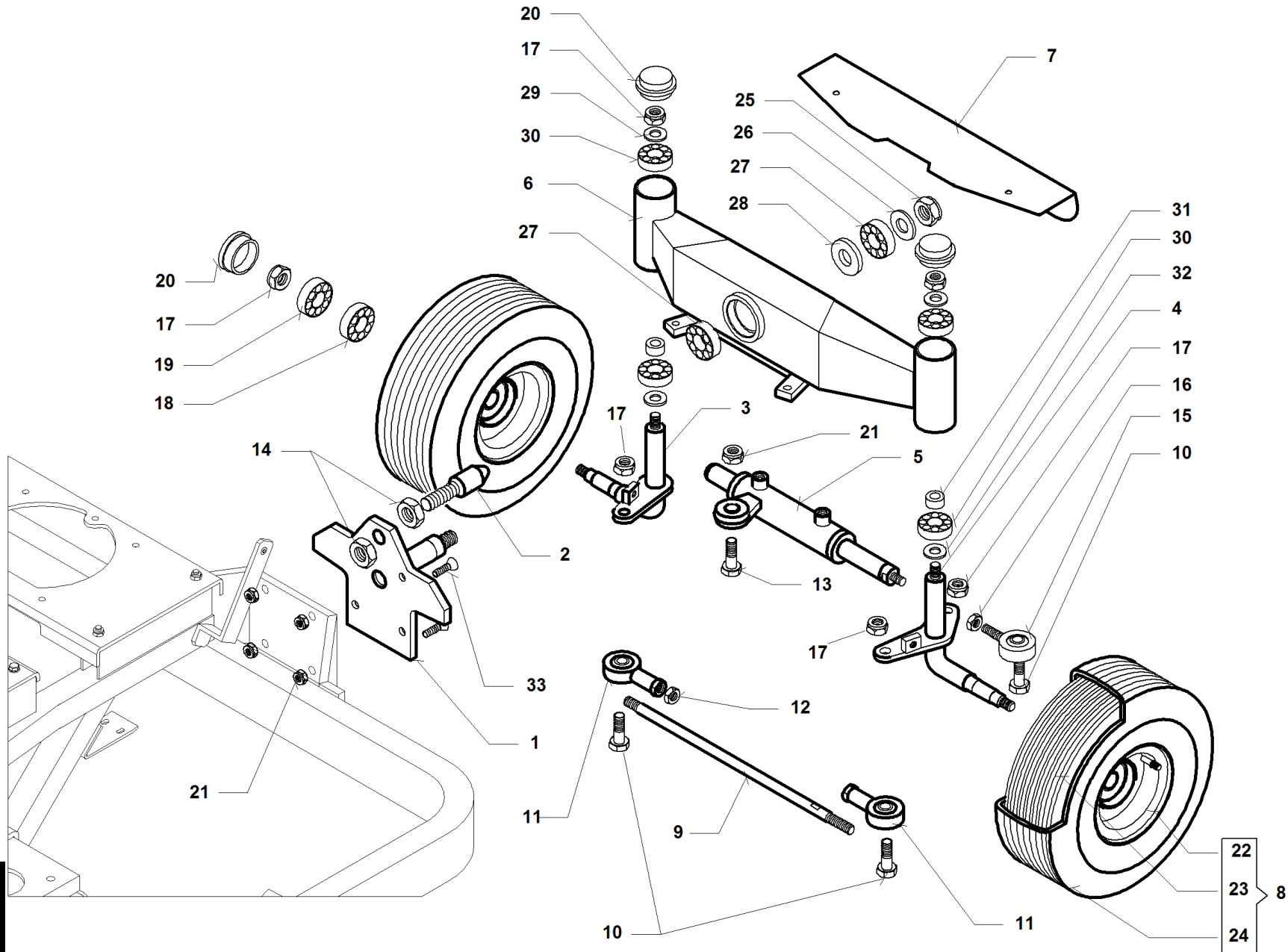
DESCRIPTION

TG 200

REF. 06- 00555991540

1	94010470000	FIXING AXLE PIN
2	94010000068	LOCKING HOPPER PIN
3	95097130000	RIGHT WHEEL SHAFT
4	95097120000	LEFT WHEEL SHAFT
5	95097100000	DOUBLE STEM CYLINDER
6	94010290000	COMPLETE AXLE
7	94010000086	AXLE COVER
8	95204110000	COMPLETE WHEEL 13X6.50-6
9	94010300001	TIE ROD STEERING
10	95097000008	SHAFT TYE-ROD STEERING
11	00777200017	BIG END OF THE CONNECTING ROD SF14
12	00111150004	NUT M14
13	95060000001	FIXING SCREW CYLINDER
14	00111150015	NUT M20 5589
15	00777200016	BIG END OF THE CONNECTING ROD TM14
16	95096000001	NUT M14 Ch 19
17	00111250011	SELF BL. NUT M14x1,5
18	00777100008	BEARING 6204 2RS 20x47x14
19	00777100028	KOYO BEARING 6303 2RS
20	00777270005	CAP D=47
21	00111250008	SELF BL. NUT M12
22	95097191000	TYRE DISC 4.50X6
23	00111930005	INNER TUBE 15,6.00X6" TR13
24	95204110001	TIRE 13X6.50-6 4PR
25	00111000043	SELF BLO. NUT UNI 7473
26	95097000004	SPACER 20,5X45X4
27	00777100012	BEARING 6006 2RS 30X55X13
28	95097000005	SPACER FIXING AXLE
29	95097000002	SPACER 14,5X32X4
30	00777100035	BEARING 6005 2RS 25X47X12
31	95097000003	SPACER SHAFT WHEEL
32	95097000006	SPACER 25,5X35X4
33	00111350025	SCREW TSPEI M12 X40

TG 200



S/N

→ **01000105 ÷ 04128112** ←

→ **0501001 ÷ 0507009** ←

REF.06- 00555991516

#

P/N

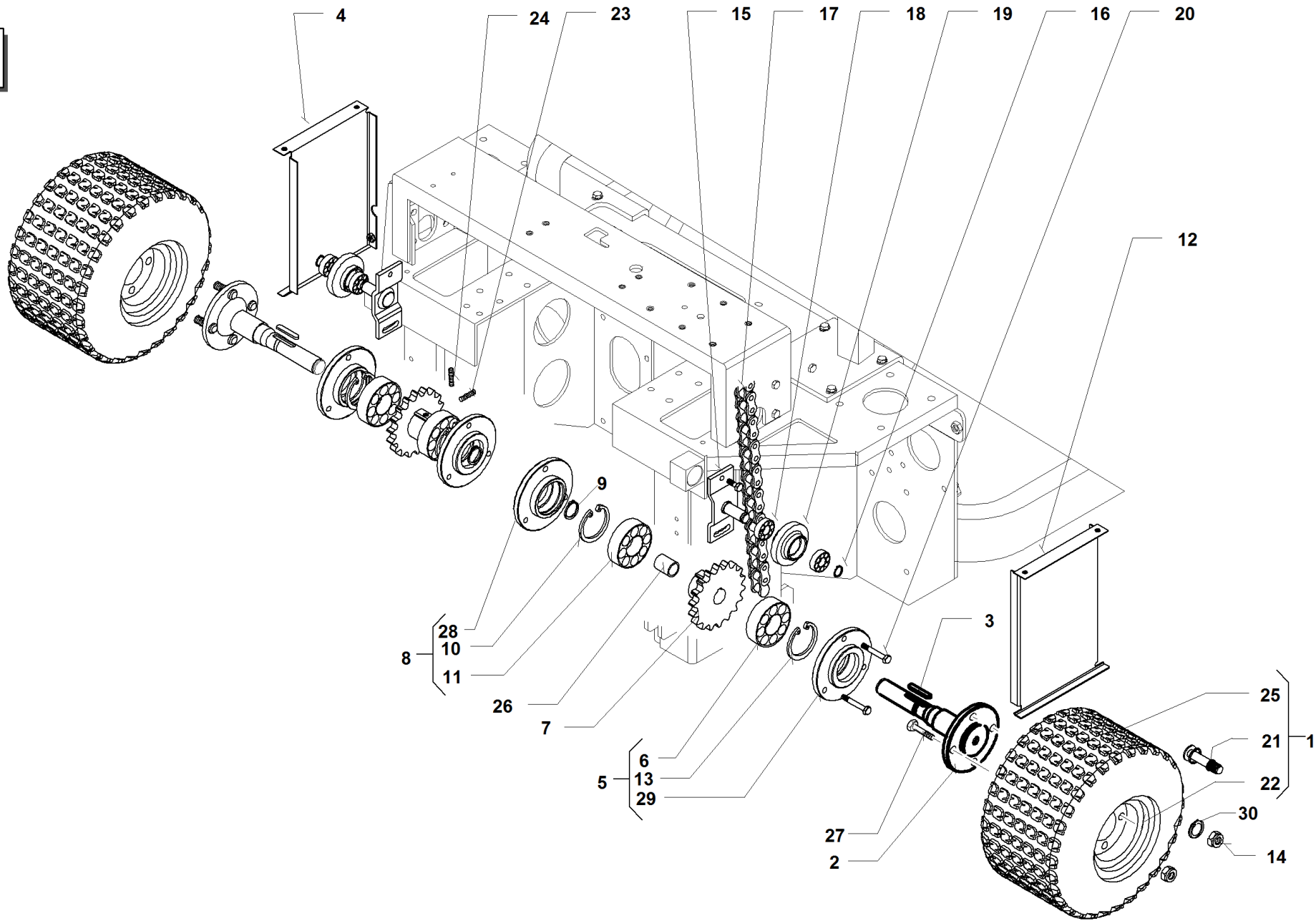
DESCRIPTION

TG 200

REF. 06- 00555991516

1	94010470000	FIXING AXLE PIN
2	94010000068	LOCKING HOPPER PIN
3	95097130000	RIGHT WHEEL SHAFT
4	95097120000	LEFT WHEEL SHAFT
5	95097100000	DOUBLE STEM CYLINDER
6	94010290000	COMPLETE AXLE
7	94010000086	AXLE COVER
8	95204110000	COMPLETE WHEEL 13X6.50-6
9	94010300001	TIE ROD STEERING
10	95097000008	SHAFT TYE-ROD STEERING
11	00777200017	BIG END OF THE CONNECTING ROD SF14
12	00111150004	NUT M14
13	95060000001	FIXING SCREW CYLINDER
14	00111150015	NUT M20 5589
15	00777200016	BIG END OF THE CONNECTING ROD TM14
16	95096000001	NUT M14 Ch 19
17	00111250011	SELF BL. NUT M14x1,5
18	00777100008	BEARING 6204 2RS 20x47x14
19	00777100028	KOYO BEARING 6303 2RS
20	00777270005	CAP D=47
21	00111250008	SELF BL. NUT M12
22	95097191000	TYRE DISC 4.50X6
23	00111930005	INNER TUBE 15,6.00X6" TR13
24	95204110001	TIRE 13X6.50-6 4PR
25	00111000043	SELF BLO. NUT UNI 7473
26	95097000004	SPACER 20,5X45X4
27	00777100012	BEARING 6006 2RS 30X55X13
28	95097000005	SPACER FIXING AXLE
29	95097000002	SPACER 14,5X32X4
30	00777100035	BEARING 6005 2RS 25X47X12
31	95097000003	SPACER SHAFT WHEEL
32	95097000006	SPACER 25,5X35X4
33	00111350025	SCREW TSPEI M12 X40

TG 200



#

P/N

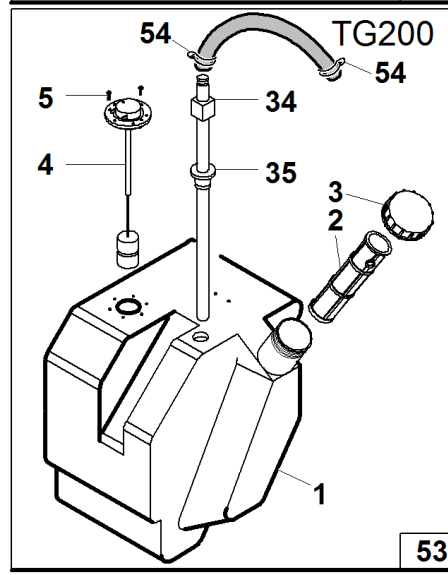
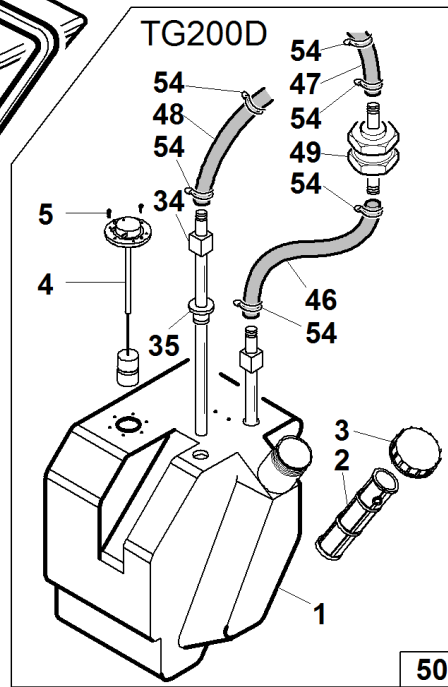
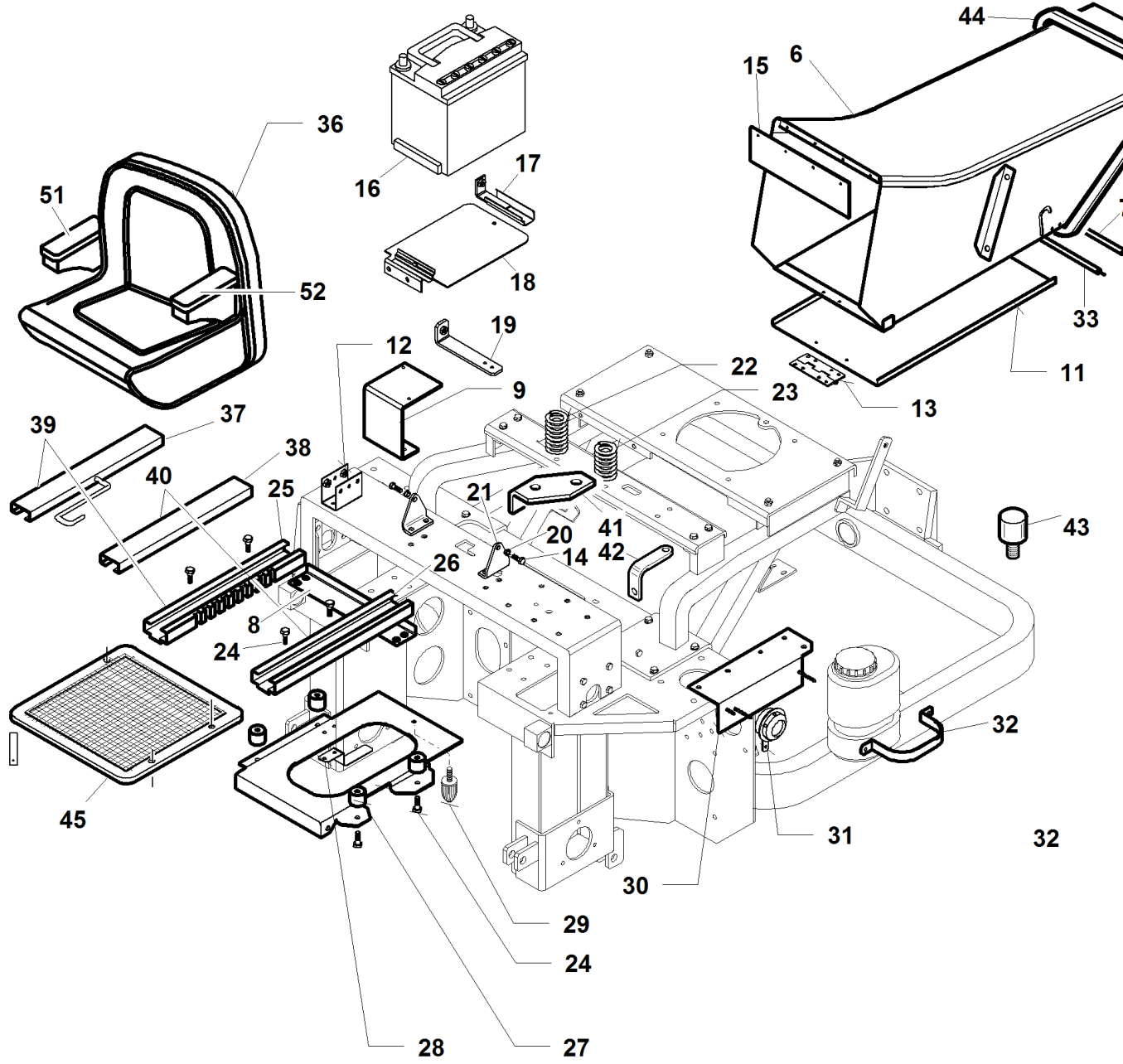
DESCRIPTION

TG 200

REF. 07- 00555991515

1	94010280000	COMPL. DINSTON WHEEL 20X10.00-8
2	94010130000	AXLE SHAFT
3	00111900016	TONGUE A 8X7X45
4	94010490000	RIGHT CHAIN PROTECTION
5	94010540000	OUTER BEARING SUPPORT
6	00777100012	BEARING 6006 2RS 30X55X13
7	94010000004	PINION Z=17
8	94010550000	INNER BEARING SUPPORT
9	00111000140	SNAP RING D.25 E HEAVY
10	00111650009	SNAP RING D.52 I
11	00777100027	BEARING 6205 2RS
12	94010500000	LEFT CHAIN PROTECTION
13	00111650003	SNAP RING D.55 I
14	00111250009	SELF BL. NUT M12X1.5
15	94010140000	PINION SUPPORT
16	00111650014	SNAP RING D.17 E
17	00777400010	"ANSI" CHAIN 58 PITCH
18	00777100032	KOYO BEARING 6003 2RS 17X35X10
19	94010000001	CHAIN TIGHTENER PINION
20	00111450001	SCREW WASHER M8X25
21	00111930006	TUBELESS VALVE TR413
22	95046200001	RIM 7.00X8
23	00111960005	GRUB M8X10 UNI 5927
24	00111960001	GRUB M8X10 NO POINT
25	00111940015	DINSTON PNEUMATIC 20X10.00-8 D266
26	94010000003	SPACER 25X35 L=34
27	00111990102	LITTLE COLUMN M12x1.5x35
28	94010000002	SUPPORT BEARING AXLE SHAFT
29	94010000062	SUPPORT BEARING AXLE SHAFT
30	00111550004	ELASTIC WASHER M12

TG 200



#

P/N

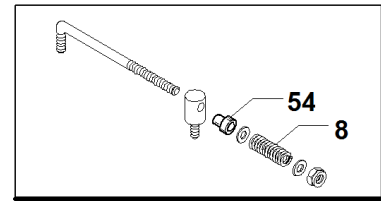
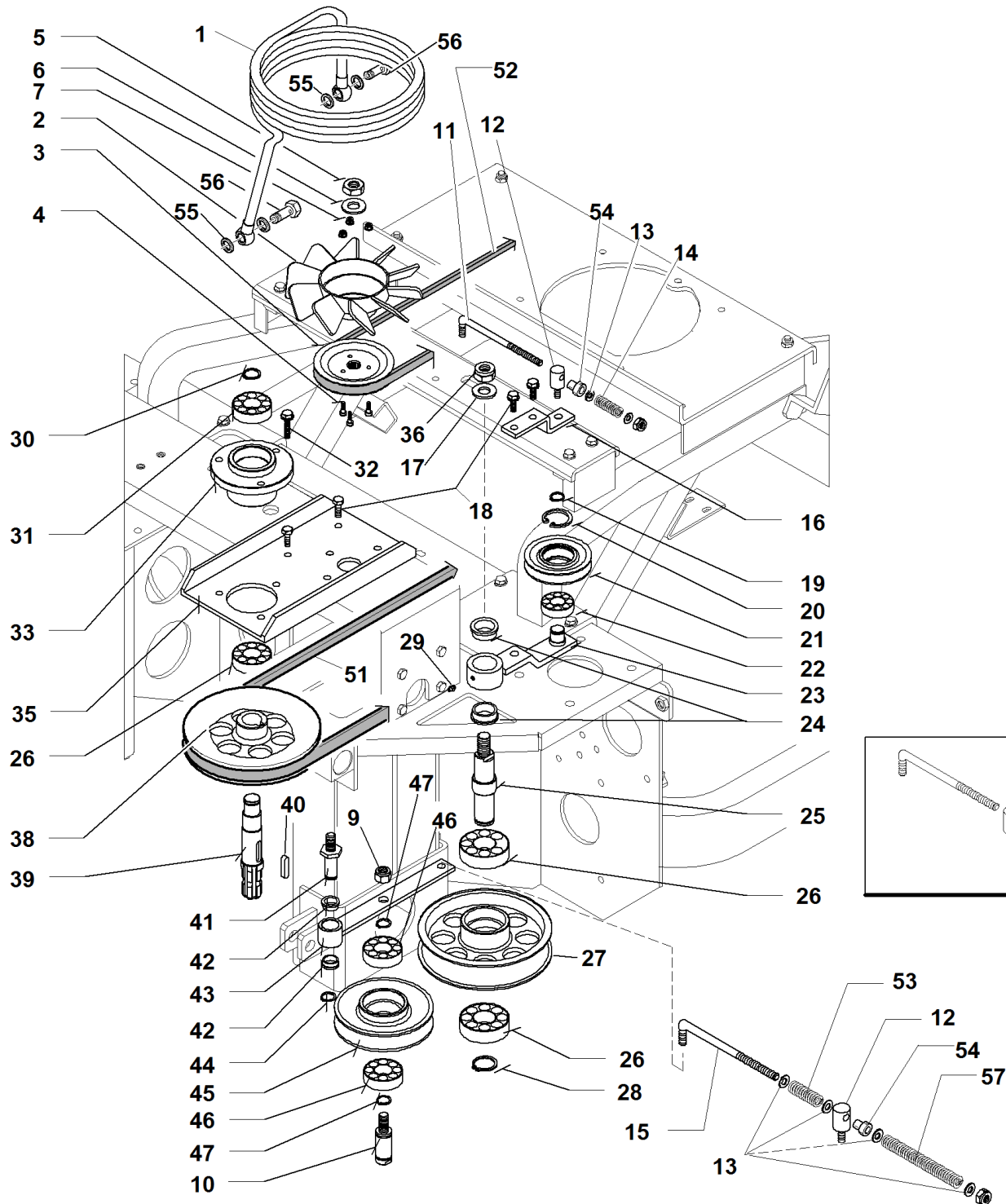
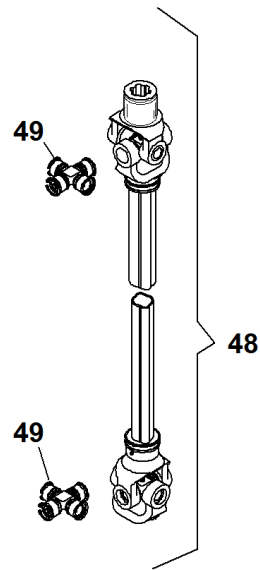
DESCRIPTION

TG 200

REF. 08- 0055991518

1	94010360000	FUEL TANK
2	00111970052	FUEL FILTER
3	00111970155	FILLERCAP WITH VALVE
4	00777800122	RESERVE GAUGE mm295
5	00111450011	SCREW FR M 4 X12
6	94010180000	COMPLETE TUNNEL
6	94017260000	COMPLETE TUNNEL
7	94010000079	SHAFT
8	94010660000	SEAT GUIDE REINFORCEMENT
9	94010000033	DISTRIBUTOR SUPPORT
11	94010000076	TUNNEL
12	94010330000	ACCELERATOR SUPPORT
13	00777580001	HINGE 50X100
14	94010000007	SCREW FIXING SEAT
15	94010000077	TUNNEL RUBBER
16	95599000036	BATTERY 12V 43A
17	94010710000	BRACKET FIXING BATTERY
18	94010340000	BATTERY SUPPORT
19	94010640000	RIGHT PANEL FIXING BRACKET
20	95001000060	BRASS BUSHING
21	94010590000	SEAT SILENTBLOCK SUPPORT
22	95500470001	LONG SEAT SPRING
23	95500000039	SHORT SEAT SPRING
24	00111450004	SCREW WASHER M8X12
25	00777850003	LOWER RIGHT GUIDE
26	00777850004	LOWER LEFT GUIDE
27	00111970120	VIBRATION-DAMPING STOPPER M8 30X30 F/F
28	94010000022	MICRO SEAT SPRING
29	00111970086	VIBRATION-DAMPING STOPPER
30	94010400000	BRAKE/TANK ANGULAR
31	00777800022	HORN 12V
32	PZ95042000005	OIL TANK CLAMP
33	94010000078	SHAFT
34	00111970130	FUEL TUBE
35	00111970053	CABLE HOLDER W8 D20 GREEN
36	00777850012	TOP 200 SEAT
37	00777850011	UPPER LEFT GUIDE
38	00777850010	UPPER RIGHT GUIDE
39	00777850006	SEAT LEFT GUIDE PAIR
40	00777850005	SEAT RIGHT GUIDE PAIR
41	94010000043	SEAT MICRO SUPPORT
42	95514111301	PROTECTION CROWN SUPPORT
43	00111970005	VIBRATION-DAMPING STOPPER M10
44	94010000108	WASHER 8541/5 L=940
45	94500500000	PROTECTION GRID
46	94012000007	
47	94012000014	
48	94012260001	
49	00777650056	NO RETURN VALVE Ø8 AL
50	94012260000	TG200 DIESEL TANK
51	95599000033	TOP200 RIGHT SEAT ARM
52	95599000034	TOP200 LEFT SEAT ARM
53	94011180000	
54	00111810015	CLAMP

TG 200



S/N
→ **03094109**

REF. 09- 00555991534

#

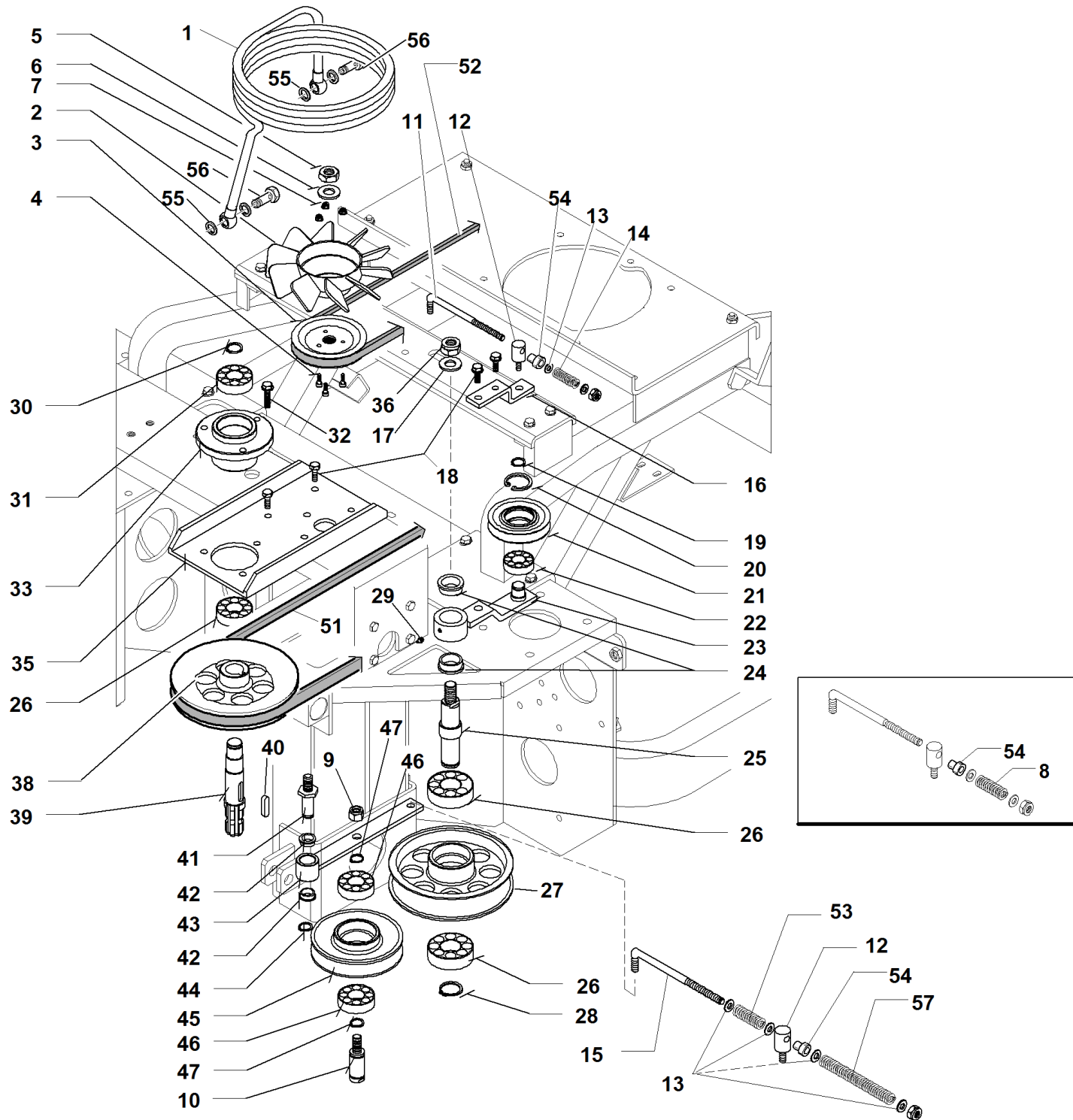
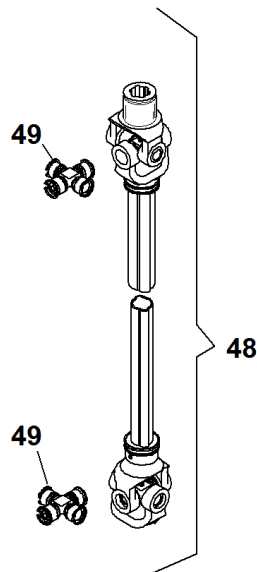
P/N

DESCRIPTION

TG 200

REF. 09- 0055991534

1	94010000112	TG 200 COPPER SERPENTINE
2	00111970129	FAN FOR AXLE
3	94010000064	TOP200 HYDRO. GROUP PULLEY
4	00111000096	SCREW M15X18
5	00111990084	NUT FOR AXLE PULLEY
6	00111990083	WASHER FOR AXLE
7	00111250012	SELF BL. NUT METB 5MA
8	94010000053	PTO TIGHTENER SPRING
9	00111250008	SELF BL. NUT M12
10	94010000028	TIGHTENING PULLEY SHAFT
11	94010000034	LEVER STAFF BELT TIGHTENER
12	94010820000	SPRING TENSION DRILL ROD
13	00111000087	WASHER P.8,4X15.6X1,5
14	95001000049	SPRING BRAKE BELT
15	94010000010	PTO BELT TIGHTENER LEVER
16	94010000047	CLUTCH TBELT TIGHTENER SUPPORT
17	00111500017	WASHER 16,5X44X5
18	00111450003	SCREW WASHER M8X20
19	00111650014	SNAP RING D.17 E
20	00111650023	SNAP RING D.40 I
21	94010000037	TIGHTENER PULLEY
22	00777100036	KOYO BEARING 6203 2RS
23	94010150000	TIGHTENER BELT LEVER
24	94010150001	BEARING 30X25 L=12
25	94010000029	TIGHTENING PULLEY SHAFT
26	00777100001	KOYO BEARING 6205 2RS
27	94010000030	GUIDE PULLEY D.160
28	00111650037	SNAP RING E X Ø25 UNI 7435
29	00111000036	GREASER M6
30	00111650013	SNAP RING D.20X1,5 E
31	00777100020	KOYO BEARING 6204 2RS
32	00111450002	SCREW WASHER M8X30
33	94010000019	SUPPORT CLUTCH BEARING
35	94010000014	CARDAN SHAFT SUPPORT
36	00111000167	SELF BL. SCREW
38	94010000020	CARDAN PULLEY WARNER CLUTCH
39	94010000021	CARDAN SHAFT
40	00111000123	TONGUE A 8X7X25
42	95001000060	BRASS BUSHING
43	94010220000	PTO TIGHTENER BELT LEVER
44	00111650004	SNAP RING D.15 E
45	94010000025	TIGHTENING PULLEY
46	00777100025	KOYO BEARING 6304 2RS
47	00111000057	SNAP RING D.20 E
48	00777201900	COMPLETE JOINT
49	00777201200	COMPLETE SPIDER
51	00111980027	BELT GATES POWERATED 6980
52	00111980020	DAYCO BELT SPAX 1162
53	95566110002	TIGHTENER REGULATOR SPRING
54	00111530001	SYNTHETIZE BUSHING 8X10 L=5.5
55	00777600001	WASHER COPPER 1/4
56	00777600040	SIMPLE CABLE BOLT
57	94010000106	SPRING A/3113



S/N

→01000105÷ 03094108←

REF.09- 00555991517

#

P/N

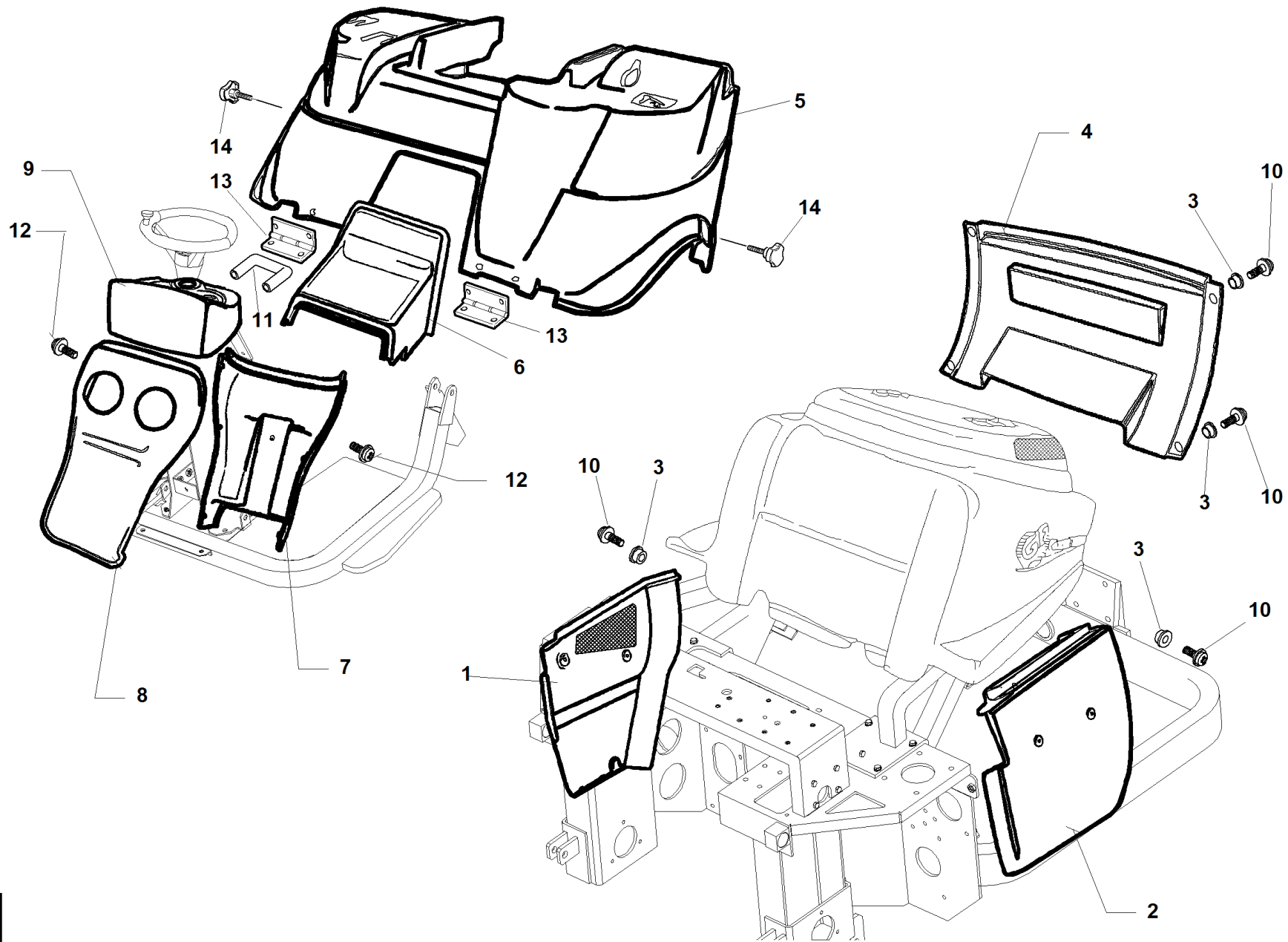
DESCRIPTION

TG 200

REF. 09- 0055991517

1	94010000067	TOP 200 COPPER SERPENTINE
2	00111970129	FAN FOR AXLE
3	94010000064	TOP200 HYDRO. GROUP PULLEY
4	00111000096	SCREW M15X18
5	00111990084	NUT FOR AXLE PULLEY
6	00111990083	WASHER FOR AXLE
7	00111250012	SELF BL. NUT METB 5MA
8	94010000053	PTO TIGHTENER SPRING
9	00111250008	SELF BL. NUT M12
10	94010000028	TIGHTENING PULLEY SHAFT
11	94010000034	LEVER STAFF BELT TIGHTENER
12	94010820000	SPRING TENSION DRILL ROD
13	00111000087	WASHER P.8,4X15.6X1,5
14	95001000049	SPRING BRAKE BELT
15	94010000010	PTO BELT TIGHTENER LEVER
16	94010000047	CLUTCH TBELT TIGHTENER SUPPORT
17	00111500017	WASHER 16,5X44X5
18	00111450003	SCREW WASHER M8X20
19	00111650014	SNAP RING D.17 E
20	00111650023	SNAP RING D.40 I
21	94010000037	TIGHTENER PULLEY
22	00777100036	KOYO BEARING 6203 2RS
23	94010150000	TIGHTENER BELT LEVER
24	94010150001	BEARING 30X25 L=12
25	94010000029	TIGHTENING PULLEY SHAFT
26	00777100001	KOYO BEARING 6205 2RS
27	94010000030	GUIDE PULLEY D.160
28	00111650037	SNAP RING E X Ø25 UNI 7435
29	00111000036	GREASER M6
30	00111650013	SNAP RING D.20X1,5 E
31	00777100020	KOYO BEARING 6204 2RS
32	00111450002	SCREW WASHER M8X30
33	94010000019	SUPPORT CLUTCH BEARING
35	94010000014	CARDAN SHAFT SUPPORT
36	00111000167	SELF BL. SCREW
38	94010000020	CARDAN PULLEY WARNER CLUTCH
39	94010000021	CARDAN SHAFT
40	00111000123	TONGUE A 8X7X25
42	95001000060	BRASS BUSHING
43	94010220000	PTO TIGHTENER BELT LEVER
44	00111650004	SNAP RING D.15 E
45	94010000025	TIGHTENING PULLEY
46	00777100025	KOYO BEARING 6304 2RS
47	00111000057	SNAP RING D.20 E
48	00777201900	COMPLETE JOINT
49	00777201200	COMPLETE SPIDER
51	00111980027	BELT GATES POWERATED 6980
52	00111980020	DAYCO BELT SPAX 1162
53	95566110002	TIGHTENER REGULATOR SPRING
54	00111530001	SYNTHETIZE BUSHING 8X10 L=5.5
55	00777600001	WASHER COPPER 1/4
56	00777600040	SIMPLE CABLE BOLT
57	94010000106	SPRING A/3113

TG 200



S/N
→**04124210**

REF. 10- 00555991533

#

P/N

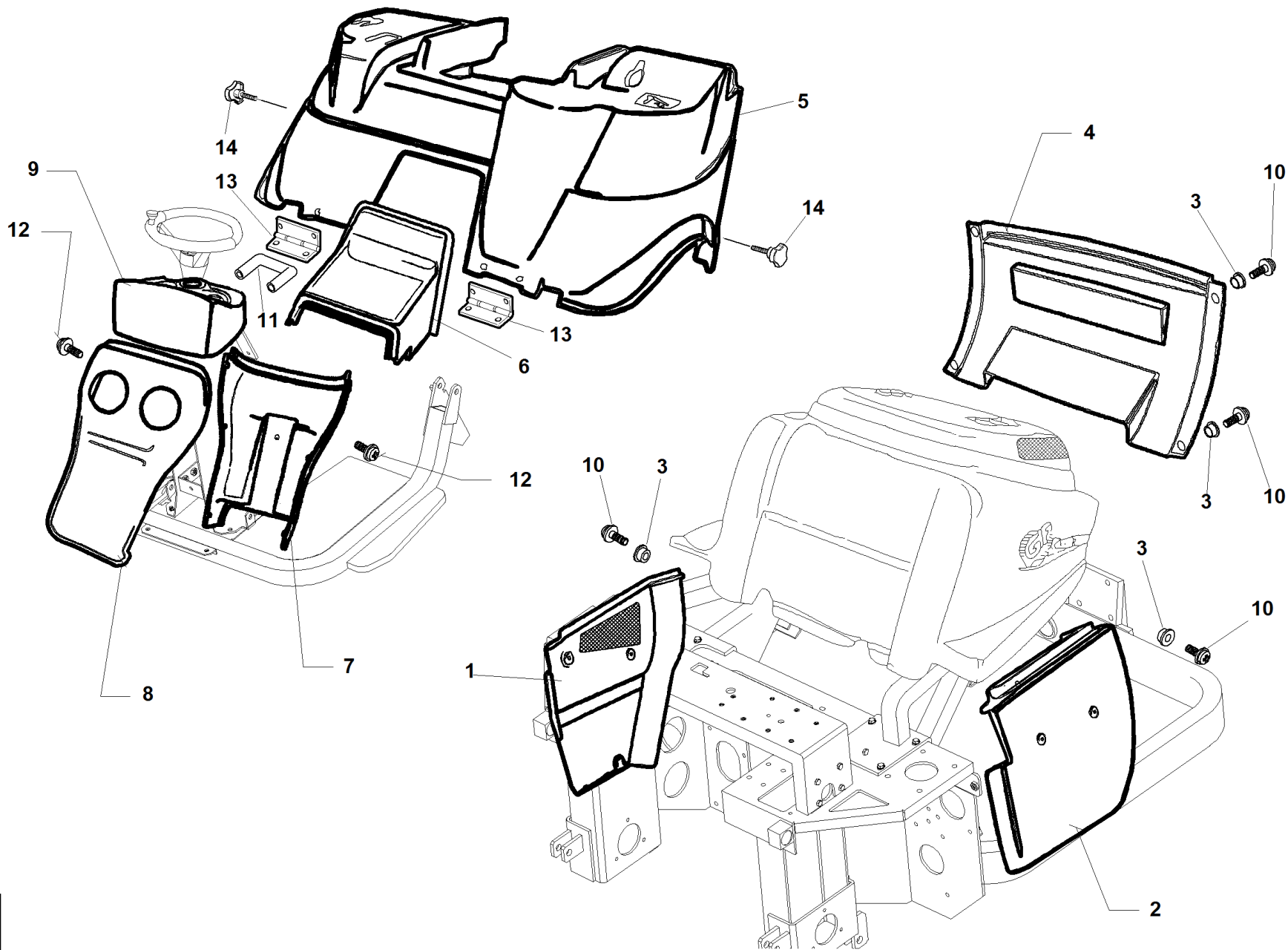
DESCRIPTION

TG 200

REF. 10- 00555991533

1	94010700000	RIGHT VALANCE PANEL
2	94010900000	LEFT VALANCE PANEL
3	00111970134	THREADED BUSH M6
4	94010910000	KOHLER REAR CLOSER HOOD
5	94013240000	MUDGUARD
6	94010000072	TUNNEL
7	94010000071	REAR NOSE
8	94010000105	FRONT NOSE
9	94010000069	DASHBOARD
10	00111450012	SCREW FR M 6X20
11	00111990088	WHITE HANDLE
12	00111450011	SCREW FR M 4 X12
13	00777580001	HINGE 50X100
14	00111970019	KNOB M8

TG 200



S/N

→01000105÷ 04124209←

REF. 10- 00555991519

#

P/N

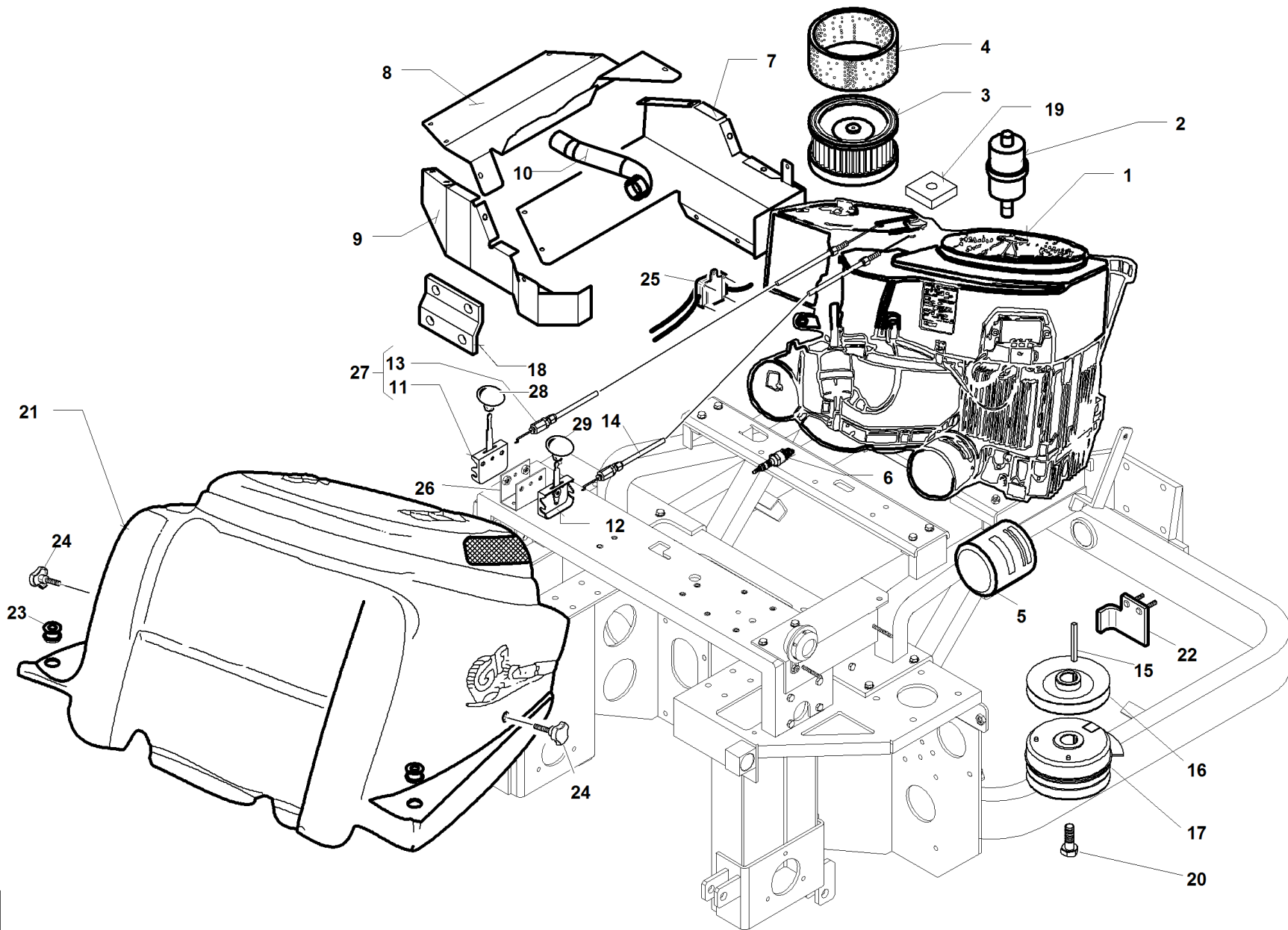
DESCRIPTION

TG 200

REF. 10- 00555991519

1	94010700000	RIGHT VALANCE PANEL
2	94010900000	LEFT VALANCE PANEL
3	00111970134	THREADED BUSH M6
4	94010910000	KOHLER REAR CLOSER HOOD
5	94013240000	MUDGUARD
6	94010000072	TUNNEL
7	94010000071	REAR NOSE
8	94010000070	FRONT NOSE
8	94010000105	FRONT NOSE
9	94010000069	DASHBOARD
10	00111450012	SCREW FR M 6X20
11	00111990088	WHITE HANDLE
12	00111450011	SCREW FR M 4 X12
13	00777580001	HINGE 50X100
14	00111970019	KNOB M8

TG 200



S/N
→04124210

REF. 11- 00555991531

#

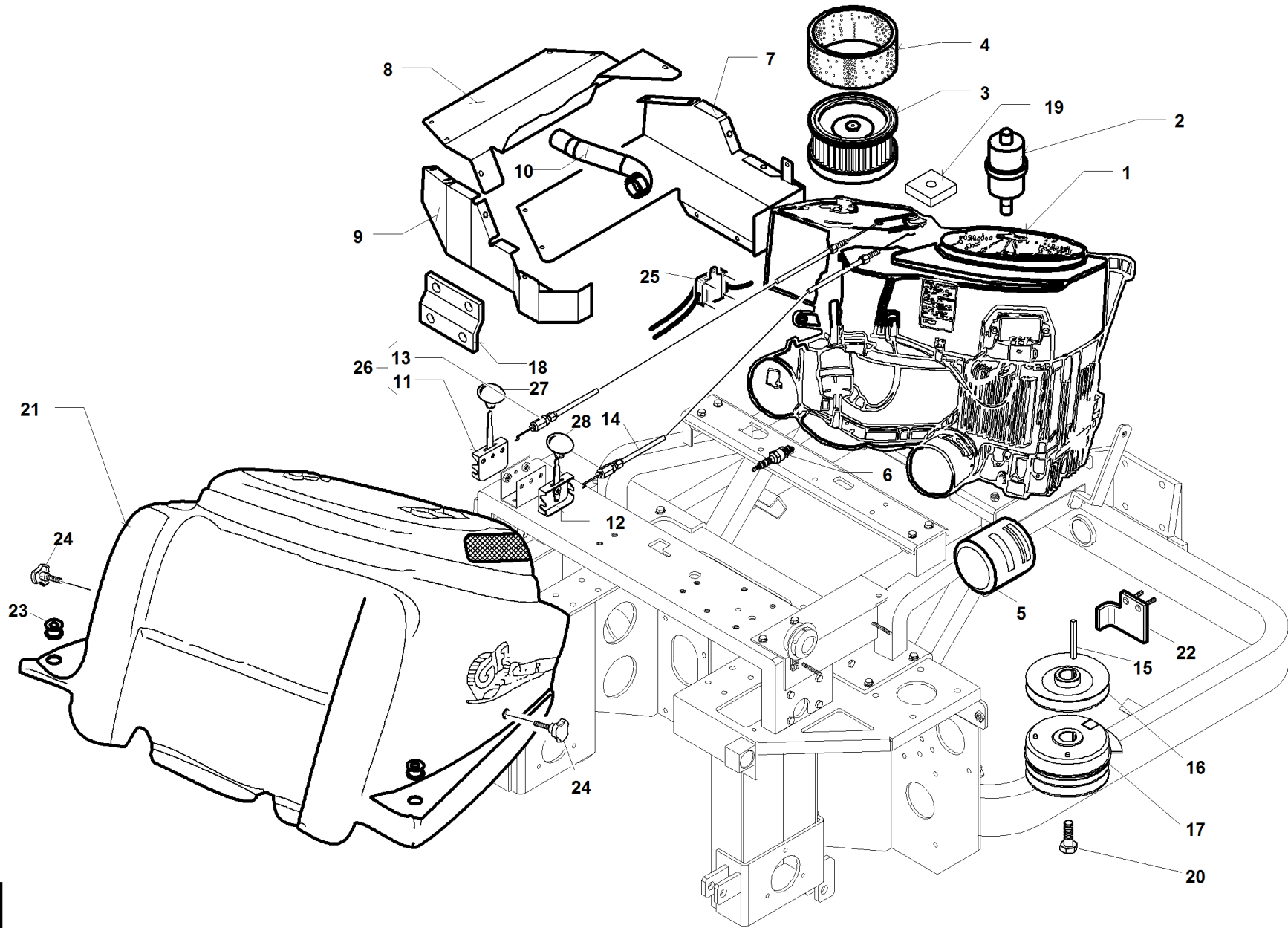
P/N

DESCRIPTION

TG 200

REF. 11- 00555991531

1	00777700014	KOHLER ENGINE 20 HP
2	00777650034	PETROL FILTER 15.5HP-KOHLER
3	00777650051	KOHLER AIR FILTER
4	00777650050	TG 200 AIR PRECLEANER
5	00777650049	TG 200 KOHLER OIL FILTER
6	00777750004	KOHLER SPARK PLUG 15 HP
7	94011150000	REAR HALF CONVEYOR
8	94011000004	SUPPORT CONVEYOR SHEET
9	94011140000	FRONT HALF CONVEYOR
10	94010620000	EXHAUST END
11	00111990104	THROTTLE LEVER WITH BLACK KNOB
12	00111990105	THROTTLE LEVER WITH RED KNOB
13	94011100000	KOHLER ACCELERATOR CABLE
14	94011110000	KOHLER STARTER CABLE
15	00111900020	TONGUE 1/4 L=21
16	94011000003	PETROL ENGINE PULLEY
17	00777801200	"WARNER" CLUTCH
18	94010670000	CONVEYOR SUPPORT
19	94011000005	LOCK ACCELERATOR CABLE
20	00111300056	SCREW TE 7/16-20 L=60
21	94011160000	KOHLER ENGINE HOOD
22	94011190000	KOHLER LOCK CLUTCH PLATE
23	00111970066	CABLE HOLDER D.I.9
24	00111970133	KNOB M6X20
25	00777710006	KOHLER FUEL PUMP
26	94011310000	
27	94011320000	TG200 THROTTLE LEVER W. CABLE 90°
28	00111610004	BLACK ACCELERATOR LEVER
29	00111610003	RED STARTER LEVEL KNOB



S/N

→01000105÷ 04124209←

REF. 11- 00555991520

#

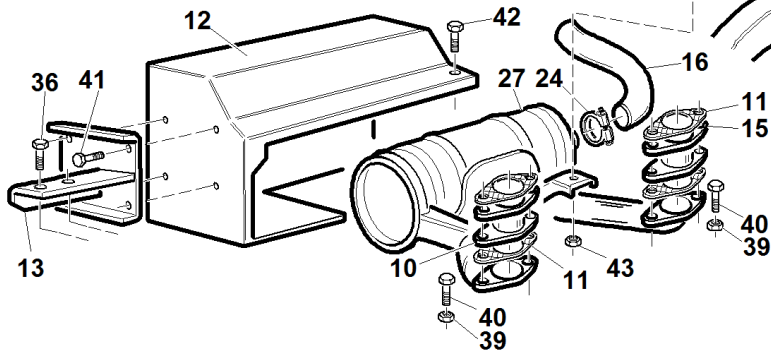
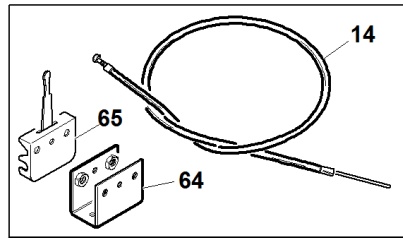
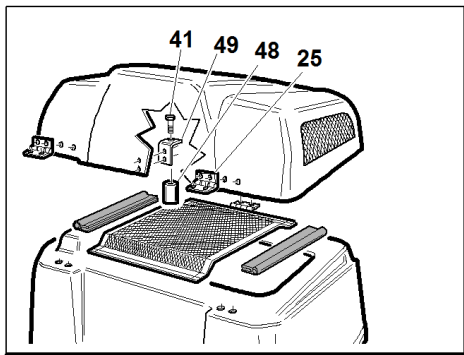
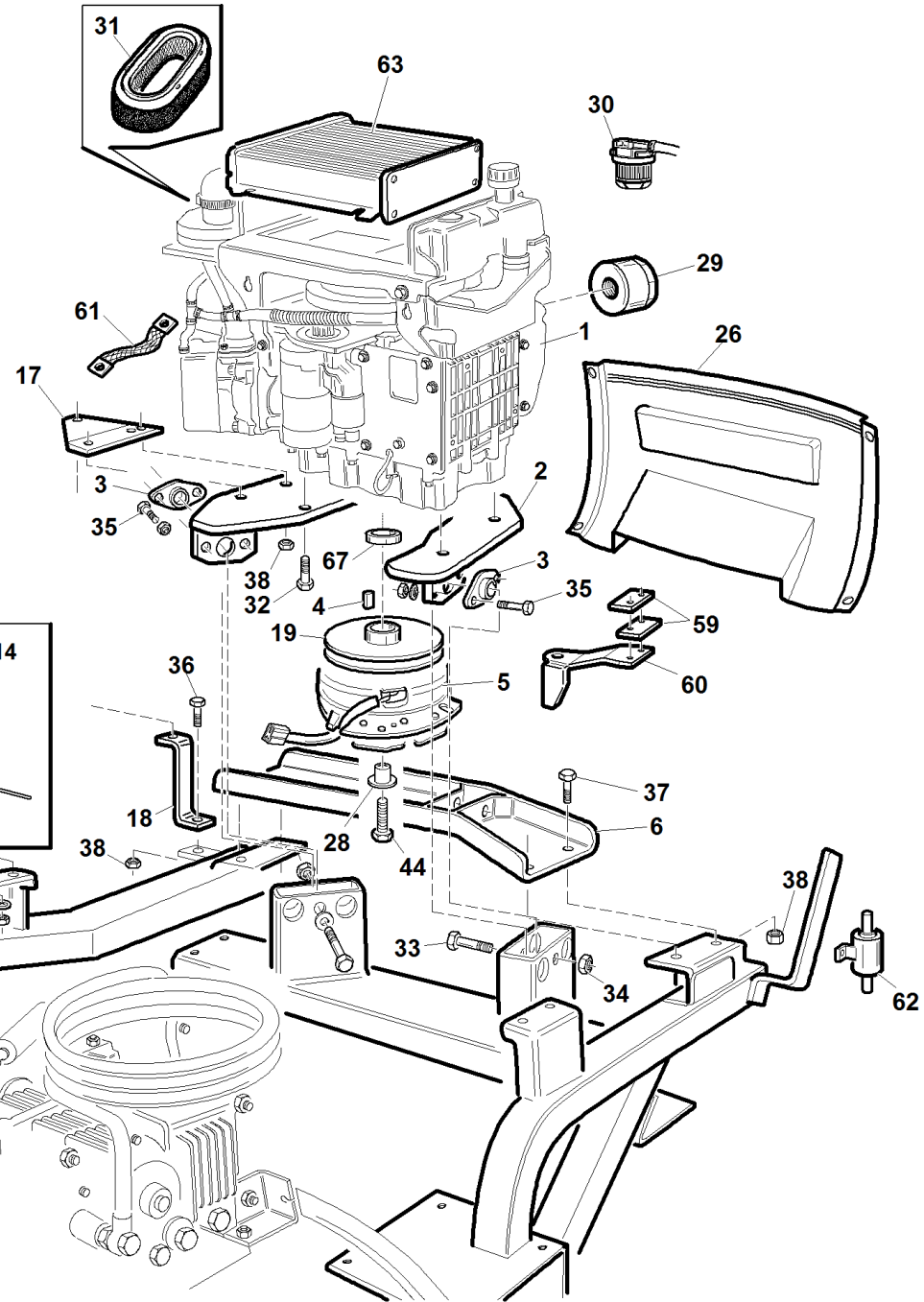
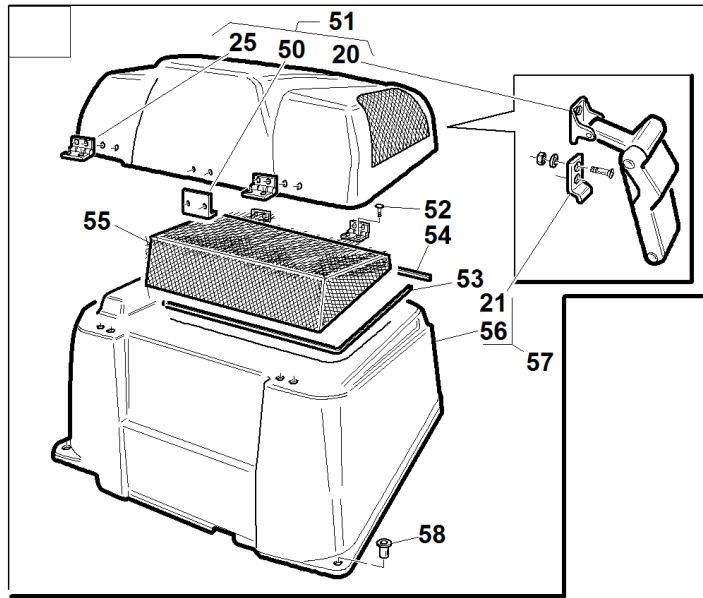
P/N

DESCRIPTION

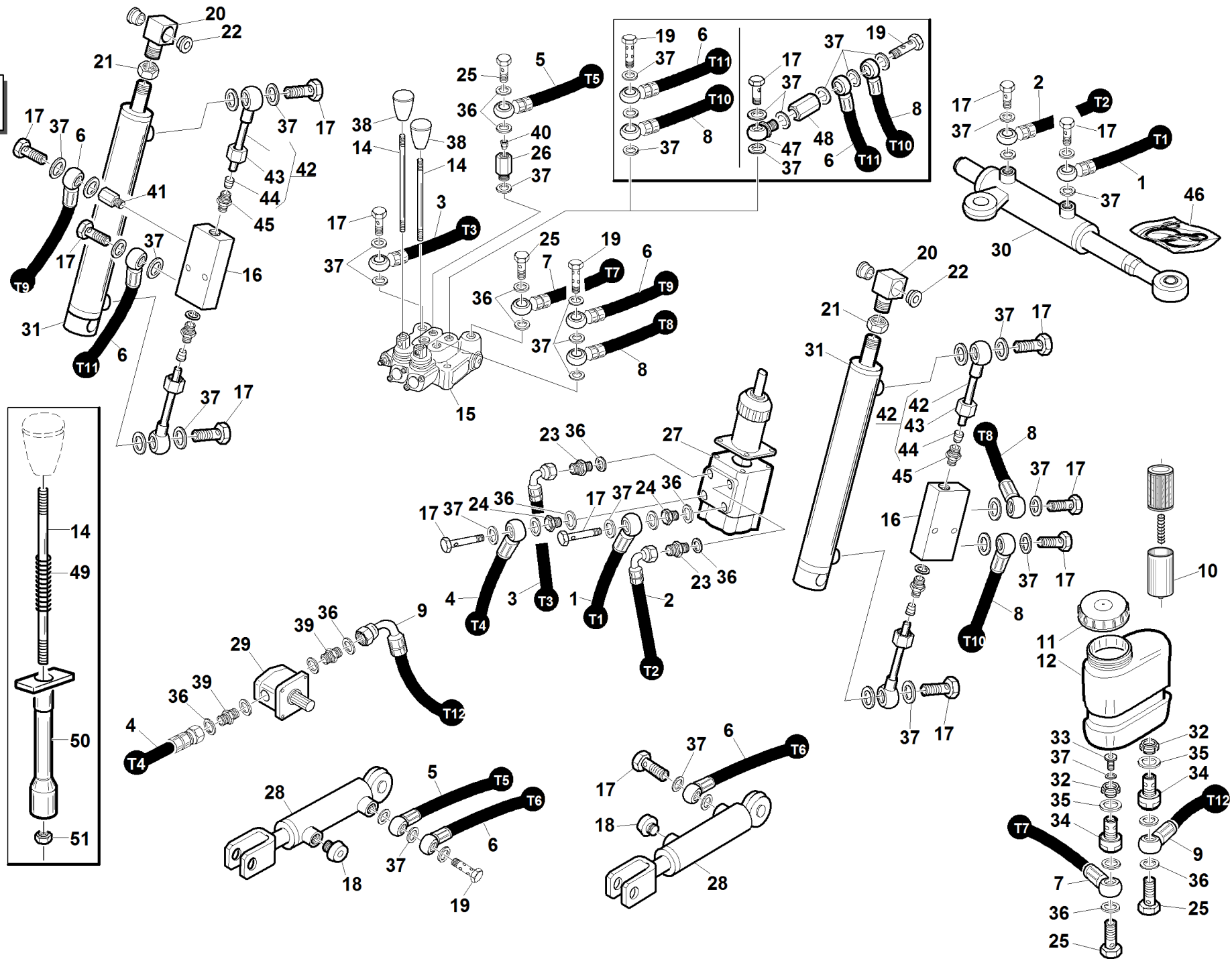
TG 200

REF. 11- 00555991520

1	00777700014	KOHLER ENGINE 20 HP		
2	00777650034	PETROL FILTER 15.5HP-KOHLER		
3	00777650051	KOHLER AIR FILTER		
4	00777650050	TG 200 AIR PRECLEANER		
5	00777650049	TG 200 KOHLER OIL FILTER		
6	00777750004	KOHLER SPARK PLUG 15 HP		
7	94011150000	REAR HALF CONVEYOR		
8	94011000004	SUPPORT CONVEYOR SHEET		
9	94011140000	FRONT HALF CONVEYOR		
10	94010620000	EXHAUST END		
11	00111990037	LONG LEVER ACCELERATOR		
12	00111000192	ACCELERATOR LEVER		
13	94011100000	KOHLER ACCELERATOR CABLE		
14	94011110000	KOHLER STARTER CABLE		
15	00111900020	TONGUE 1/4 L=21		
16	94011000003	PETROL ENGINE PULLEY		
17	00777801200	"WARNER" CLUTCH		
18	94010670000	CONVEYOR SUPPORT		
19	94011000005	LOCK ACCELERATOR CABLE		
20	00111300056	SCREW TE 7/16-20 L=60		
21	94011160000	KOHLER ENGINE HOOD		
22	94011190000	KOHLER LOCK CLUTCH PLATE		
23	00111970066	CABLE HOLDER D.I.9		
24	00111970133	KNOB M6X20		
25	00777710006	KOHLER FUEL PUMP		
26	94011320000	TG200 THROTTLE LEVER W. CABLE 90°		
27	00111610004	BLACK ACCELERATOR LEVER		
28	00111610003	RED STARTER LEVEL KNOB		



#	P/N	DESCRIPTION	TG 200D	REF. 11-1- 00555991524
1	00777700017	YANMAR ENGINE 20 HP		
2	94012160000	YANMAR ENGINE SUPPORT		
3	00111970141	YANMAR ENGINE VIBRATION-DUMPING		
4	00111900020	TONGUE 1/4 L=21		
5	00777801300	"WARNER" CLUTCH		
6	94012150000	REAR YANMAR ENGINE SUPPORT		
10	94012210000	COMPLETE RIGHT COLLECTOR		
11	00111990092	YANMAR EXHAUST GASKET		
12	94012230000	YANMAR EXHAUST PROTECTION		
13	94012170000	FRONT YANMAR EXHAUST GUARD SUPPORT		
14	94012220000	COMPLETE STARTER CABLE		
15	94012200000	COMPLETE LEFT COLLECTOR		
16	94012000006	EXHAUST END		
17	94012000005	YANMAR EXHAUST SUPPORT		
18	94012180000	REAR EXHAUST GUARD PLATE		
19	94012000001	DIESEL ENGINE PULLEY (YANMAR)		
20	00111970140	LOCKING HANDLE		
21	00111970139	LOCKING HANDLE HOOK		
24	00111810028	COLLECTOR EXHAUST CLAMP D33		
25	00111970136	METAL HING		
26	94010920000	YANMAR REAR HOOD CLOSER		
27	00111990094	YANMAR ENGINE EXHAUST		
28	00111990095	DIESEL CLUTCH SPACER		
29	00777650053	YANMAR OIL FILTER		
30	00777650052	DIESEL FILTER		
31	00777650054	YANMAR AIR FILTER		
32	00111000076	SCREW TE M10X25		
33	00111400032	ALLEN SCREW M14X60		
34	00111250005	SELF BL. NUT M14		
35	00111000093	SCREW TE M8X20		
36	00111450002	SCREW WASHER M8X30		
37	00111450001	SCREW WASHER M8X25		
38	00111000071	SELF BLO. NUT M8		
39	00111250017	CONECOK NUT		
40	00111000076	SCREW TE M10X25		
41	00111450010	SCREW/W M6X10		
42	00111450005	SCREW/W M6X16		
43	00111000095	SELF BLO. NUT M8		
44	00111300029	SCREW TE M10X55		
48	00111970118	VIBRATION-DAMPING STOPPER M6 F H=31		
49	94012000008	ANGULAR		
50	94012292003			
51	94012292000	YANMAR ENGINE HOOD		
52	00111450011	SCREW FR M 4 X12		
53	94012000009	WASHER L=1200		
54	94012000010	WASHER L=515		
55	94012101000	RADIATOR PROTECTION GRID		
56	94012291000	YANMAR ENGINE HOOD		
57	94012291000	YANMAR ENGINE HOOD		
58	00111970066	CABLE HOLDER D.I.9		
59	94012000013	PLATE SUPPORT		
60	94012000012	YANMAR LOCK CLUTCH PLATE		
61	00777800052	WEIGHT PLATE mm.210		
62	00777710004	YANMAR FUEL PUMP		
63	95599160000	YANMAR RADIATOR		
64	94010330000	ACCELERATOR SUPPORT		
65	00111990037	LONG LEVER ACCELERATOR		
67	94012000015	YANMAR ENGINE SHAFT SPACER		



#

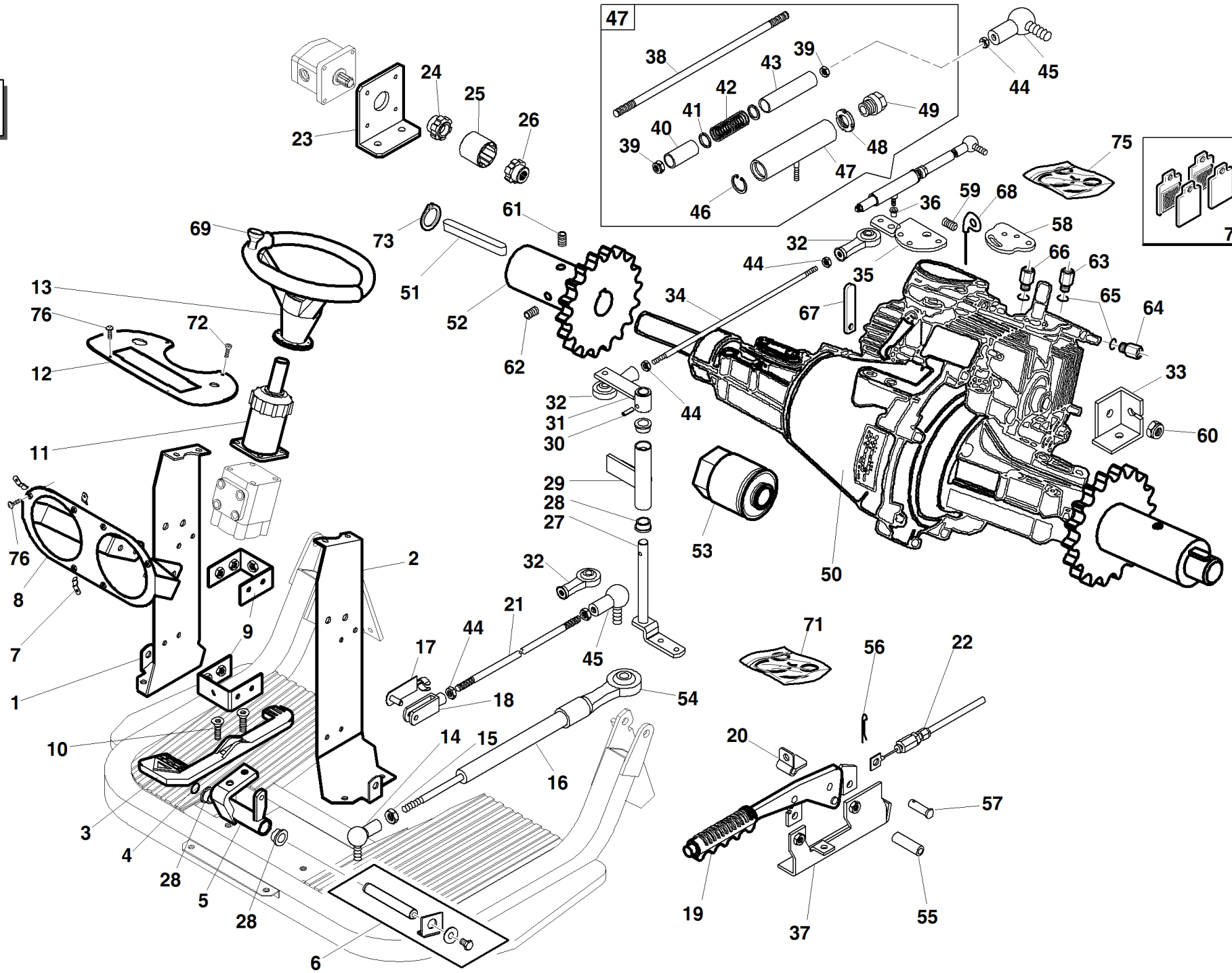
P/N

DESCRIPTION

TG 200

REF. 12- 00555991522

1	00777600068	HOSE R17 1/4 L=3515
2	00777600067	HOSE R17 1/4 L=3585
3	00777600072	HOSE R17 1/2 L=1720
4	00777600070	HOSE R17 1/2 L=1320
5	00777600073	HOSE R17 1/4 L=1010
6	00777600069	HOSE R17 1/4 L=1200
7	00777600077	HOSE R17 1/2 L=990
8	00777600075	HOSE R17 1/4 L=1440
9	00777600071	HOSE R17 1/2 L=785
10	00777650044	FILTER CARTRIDGE
11	00111970056	OIL TANK PLUG
12	94010480000	OIL TANK
13	00777601100	DISTRIBUTOR LONG LEVER
14	00777601100	DISTRIBUTOR LONG LEVER
15	00777600028	2 LEVER DISTRIBUTOR
16	00777601700	SIMPLE BLOCK VALVE
17	00777600040	SIMPLE CABLE BOLT
18	00777600051	VENT PLUG
19	00777600039	DOUBLE CABLE BOLT
20	94010000048	THREADED BUSH M16X1.5
21	00111150005	NUT M16X1.5
22	00111990017	BUSHING WITH EDGE TFF 20/16,5
23	00777600063	NIPPLE 3/8 1/4
24	00777600062	REDUCTION 3/8
25	00777600042	EMPTY SCREW
26	00777600047	REDUCTION PCR M1/4 F3/8 L=40
27	00777600056	DRIVE UNITY
28	94010250000	LIFTING ARMS CYLINDER
29	00777600066	SAUER-DANFOSS PUMP SNP1/2,2 S
30	95097100000	DOUBLE STEM CYLINDER
30	95097200000	DOUBLE STEM CYLINDER
31	94013150000	CYLINDER
32	00111000189	METAL RING 20X1
33	00777600099	CLOSER PLUG 1/4
34	94010000083	OIL TANK CONNECTOR
35	00777230004	OR RING 4081
36	00777600003	WASHER COPPER 3/8
37	00777600001	WASHER COPPER 1/4
38	00111970135	HANDGRIP D.25 M8
39	00777600015	NIPPLE 3/8
40	00777600046	FIXED VALVE
41	00777600037	EXTENSION M/F 1/4 L=35
42	00777601900	BLOCK VALVE TUBE
43	00777601900	BLOCK VALVE TUBE
44	00777601900	BLOCK VALVE TUBE
45	00777600110	REDUCTION 1/4
46	95599170000	CYLINDER GASKETS KIT
47	00777600108	"THREATED EYES 1/4 X 1/4"
48	00777600093	URU VALVE
49	00777600113	DISTRIBUTOR SAFETY LEVEL SPRING
50	95162000009	DISTRIBUTOR SAFETY LEVEL
51	95062000004	M8 Ch12 NUT



#

P/N

DESCRIPTION

TG 200

REF. 13- 0055991521

1	94010510000	RIGHT STEERING COLUMN SHEET
2	94010310000	LEFT STEERING COLUMN SHEET
3	95533000003	ACCELERATOR PEDAL
4	00111650004	SNAP RING D.15 E
5	94010750000	PEDAL SUPPORT
6	95597270000	PEDAL PIN KIT
7	94010000084	TOP 200 FIXING LIGHT SPRING
8	94010520000	LIGHT SUPPORT TOP 200
9	94010310005	BODY SUPPORT
10	00111350022	SCREW TSPEI M8X30 ZNT
11	00777601500	TOP 200 LITTLE COLUMN
12	94010000090	DASHBOARD
13	00111970098	STEERING WHEEL
14	00777200012	ROUND JOINT M8X1
15	00111150009	NUT M8X1 (n° M.)
16	00777600020	HYDRAULIC CYLINDER
17	00777180001	FORKED PIN D.8
18	00777180002	FORK IN M8
19	00111990015	HAND BRAKE LEVER
20	94010380000	HAND BRAKE MICRO SUPPORT
21	94010760000	TIE ROD M8 L=420
22	94010440000	HAND BRAKE CABLE
23	94010000023	ANGULAR PUMP FIXING
24	00777201401	HUB WITH CONICAL HOLE
25	00777201403	SLEEVE FOR JOINT
26	00777201402	HUB
27	94010190000	DRIVE PIN
28	95001000060	BRASS BUSHING
29	94010200000	DRIVING GEAR ADVANCEMENT
30	00111700006	PIN EL D.6X28
31	94010210000	LEVER ADVANCEMENT
32	00777200007	ARTICULATION HEAD CF8 M8
33	94010260000	SUPPORT
34	94010930000	SHORT TIE ROD
35	94010000032	LEVER
36	00111530001	SYNTHETIZE BUSHING 8X10 L=5.5
37	PZ95500390000	HAND BRAKE SUPPORT
38	95042230000	COMPLETE MECC. CYLINDER
39	00111000071	SELF LOCKING NUT M8 UNI 7473
39	95042230000	COMPLETE MECC. CYLINDER
40	95042230000	COMPLETE MECC. CYLINDER
41	95042230000	COMPLETE MECC. CYLINDER
42	95042230000	COMPLETE MECC. CYLINDER
43	95042230000	COMPLETE MECC. CYLINDER
44	00111000082	NUT M8
45	00777200001	ROUND JOINT AS 13 M8
46	95042230000	COMPLETE MECC. CYLINDER
47	95042230000	COMPLETE MECC. CYLINDER
48	95042230000	COMPLETE MECC. CYLINDER
49	95042230000	COMPLETE MECC. CYLINDER
50	00777600065	COMPACT AXLE
51	00111900009	TONGUE 1/4 L=70
52	94010000005	PINION Z=18
53	00777650055	OIL FILTER FOR AXLE
54	00777200011	ARTICULATION HEAD CF8 M8x1
55	95002000004	HOPPER STOP PIN
56	00111750006	SPLIT PIN 1,6X20
57	95533300001	HAND BRAKE CABLE
58	00777600022	LEVER BDU 321

#

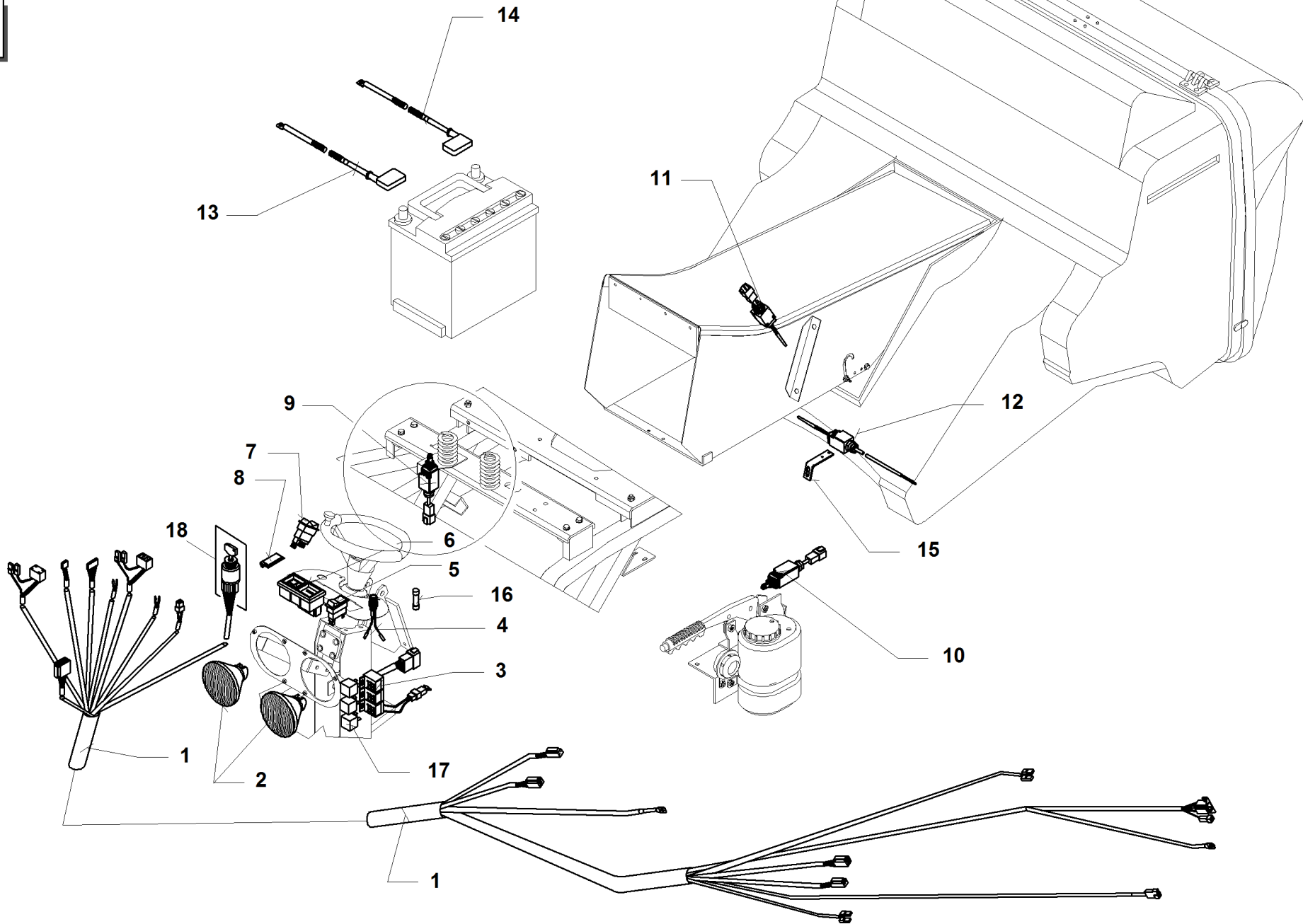
P/N

DESCRIPTION

TG 200

REF. 13- 00555991521

59	00777600023	GRUB LEVER BDU
60	00111150017	NUT 5/16-18 UNC 2A
61	00111960005	GRUB M8X10 UNI 5927
62	00111960001	GRUB M8X10 NO POINT
63	94010000066	SERPENTINE OUTPUT CONNECTOR
64	94010000065	SERPENTINE INPUT CONNECTOR
65	00777230005	OR RING 3043
66	94010000095	EXTENSION
67	94010000063	LEVER BY PASS
68	00111990087	OIL DIPSTICK L=80
69	00111970145	STEERING WHEEL KNOB
71	95599190000	AXLE OIL SEALS KIT
72	00111450011	SCREW FR M 4 X12
73	00111000140	SNAP RING D.25 E HEAVY
74	95598620000	GTM/GSM AXLE BRAKE PAD
75	95599630000	GEAR BOX SEAL KIT BDU 10L-222
76	00111450011	SCREW FR M 4 X12



#

P/N

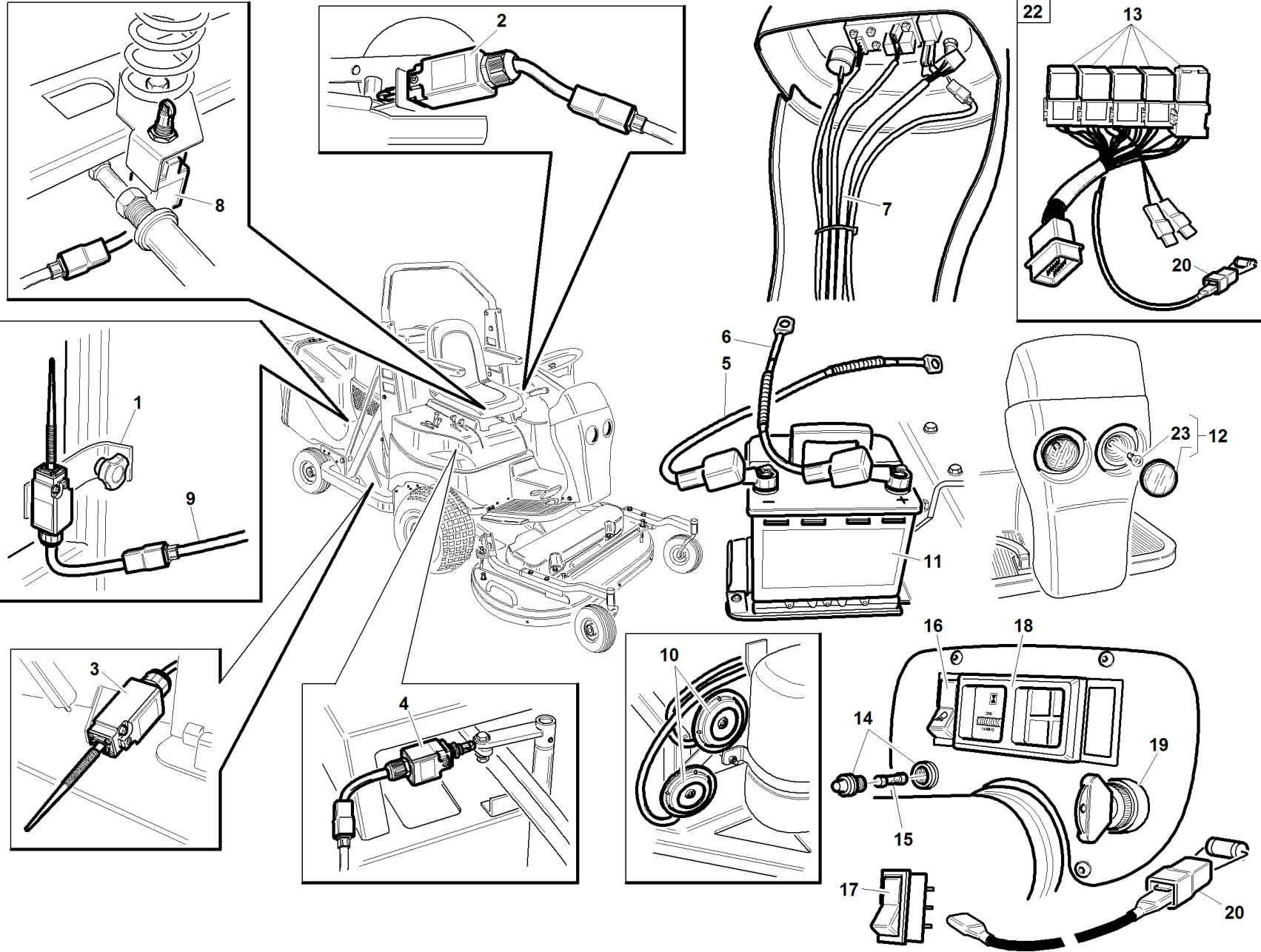
DESCRIPTION

TG 200

REF. 14- 00555991523

1	94010371500	TG 200 KOHLER ENGINE LINE
2	00777800127	SPARE PART GLASS
3	94010371600	TG 200 KOHLER RELAYS LINE
4	94010371400	FUSE CARRIER LINE
5	00777800007	SWITCH
6	00777800157	HOUR COUNTER + PILOT LIGHTS PANEL
7	00777800146	CLUTCH SWITCH
8	00111970159	PLUG
9	94010371100	SEAT LINE
10	94010371200	SWITCH LINE
11	94010371300	OPEN HOPPER LINE
12	94010371000	FULL HOPPER LINE
13	94010371700	TG 200 RED BATTERY CABLE
14	94010371800	TG 200 BLACK BATTERY CABLE
15	94010000094	HOPPER MICRO SUPPORT
16	00777800050	FUSE 6X30
17	00777800035	RELAY 12V 20/30 A
18	00777800158	TG 200 KOHLER KEY BLOCK

TG 200



S/N
→ **02063510**

REF. 15- 00555991526

#

P/N

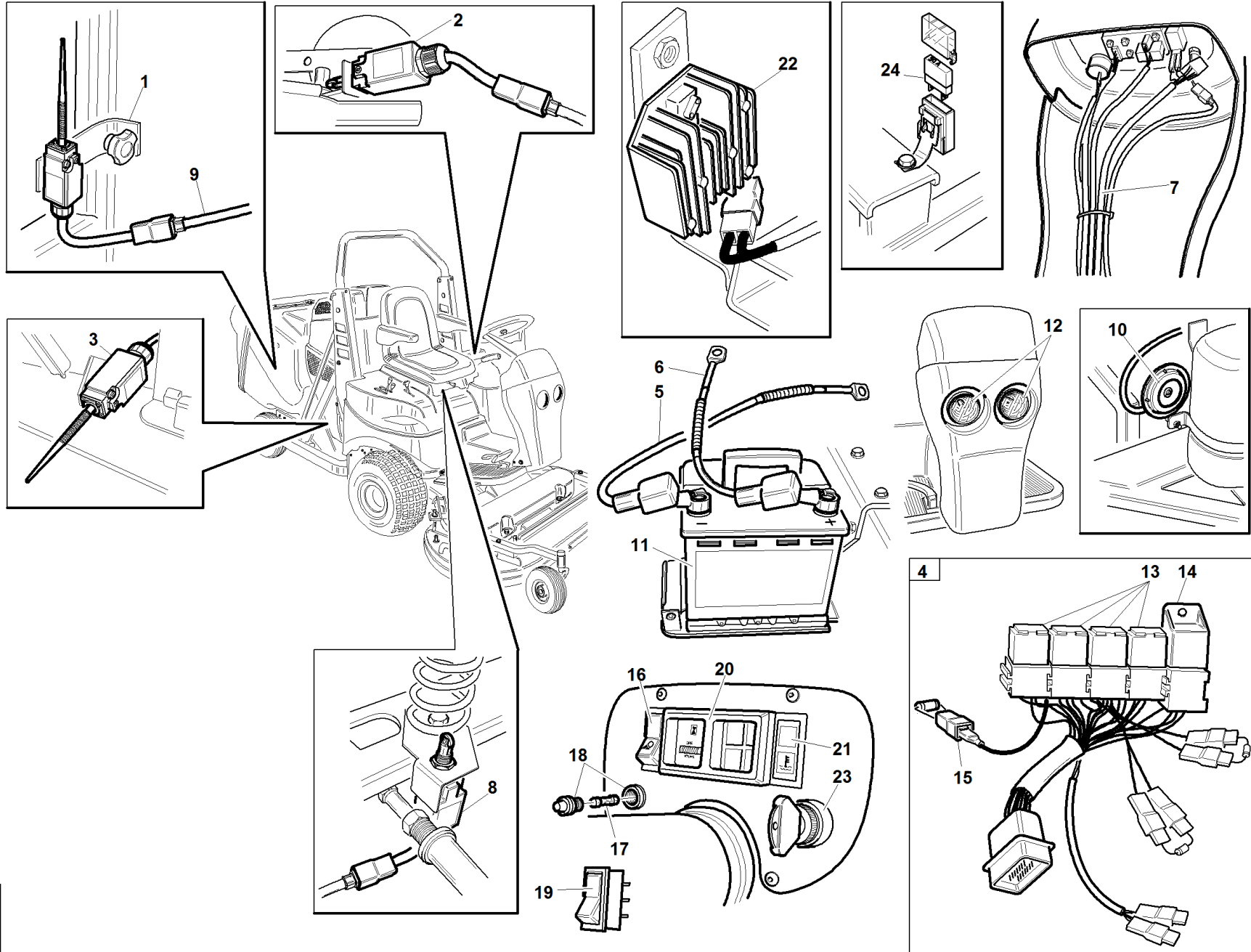
DESCRIPTION

TG 200

REF. 15- 00555991526

1	94011240000	TG 200 FULL HOPPER WIRED MICRO
2	94011250000	TG 200 HANDBRAKE WIRED MICRO
3	94011260000	TG 200 CLOSE HOPPER WIRED MICRO
4	94011270000	HANDBRAKE IN ACTION WIRED MICRO
5	94011280000	TG 200 BATTERY NEGATIVE EARTH CABLE
6	94011290000	TG 200 BATTERY POSITIVE EARTH CABLE
7	94011200000	TG 200 KOHLER CENTRAL HARNESS
8	94011220000	TG 200 KOHLER SEAT WIRED MICRO
9	94017250000	HOPPER WIRED MICRO EXTENSION
10	00777800022	HORN 12V
11	95599000036	BATTERY 12V 43A
12	00777800137	PROJECTOR
13	00777800035	RELAY 12V 20/30 A
14	00777800153	FUSE BOX
15	00777800154	FUSE 6.3X32
16	00777800007	SWITCH
17	00777800146	CLUTCH SWITCH
18	00777800157	HOUR COUNTER + PILOT LIGHTS PANEL
19	00777800158	TG 200 KOHLER KEY BLOCK
20	00777800161	ELECTRIC DIODE BYW98/200
22	94011210000	TG200 KOHLER RELAYS LINE
23	95599000021	LAMP WITH SUPPORT

TG 200D



S/N

→01000105÷ 02063909←

REF. 16- 00555991536

#

P/N

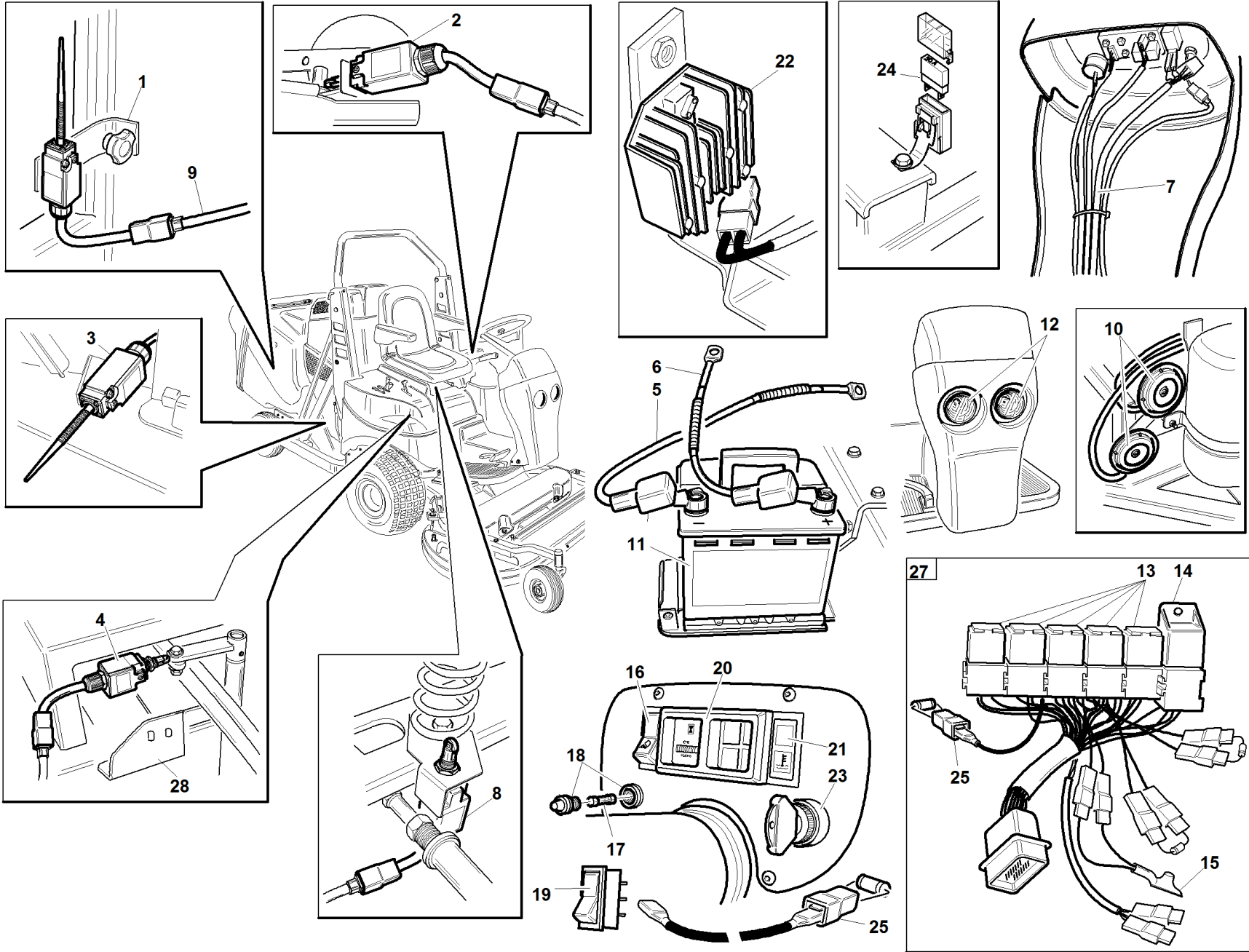
DESCRIPTION

TG 200D

REF. 16- 00555991536

#	P/N	DESCRIPTION	TG 200D	REF. 16- 00555991536
1	94011240000	TG 200 FULL HOPPER WIRED MICRO		
2	94010371200	SWITCH LINE		
3	94010371300	OPEN HOPPER LINE		
4	94012110008			
5	94012110002			
6	94012110001			
7	94012110007			
8	94010371100	SEAT LINE		
9	94012110003	FULL HOPPER WIRED MICRO		
10	00777800022	HORN 12V		
11	95599000036	BATTERY 12V 43A		
12	00777800137	PROJECTOR		
13	00777800035	RELAY 12V 20/30 A		
14	00777800098	RELAY 12V 70A		
15	94012110009			
16	00777800007	SWITCH		
17	00777800154	FUSE 6.3X32		
18	00777800153	FUSE BOX		
19	00777800146	CLUTCH SWITCH		
20	00777800157	HOUR COUNTER + PILOT LIGHTS PANEL		
21	00777800159	INSTRUMENT WITH 2 PILOT LIGHTS		
22	95599000006	CURRENT LIMITER 20A YANMAR		
23	00777800160	TG 200 YANMAR KEY BLOCK		
24	00777800149	FUSE 50A		

TG 200D



S/N
→04120307

REF. 16- 00555991530

#

P/N

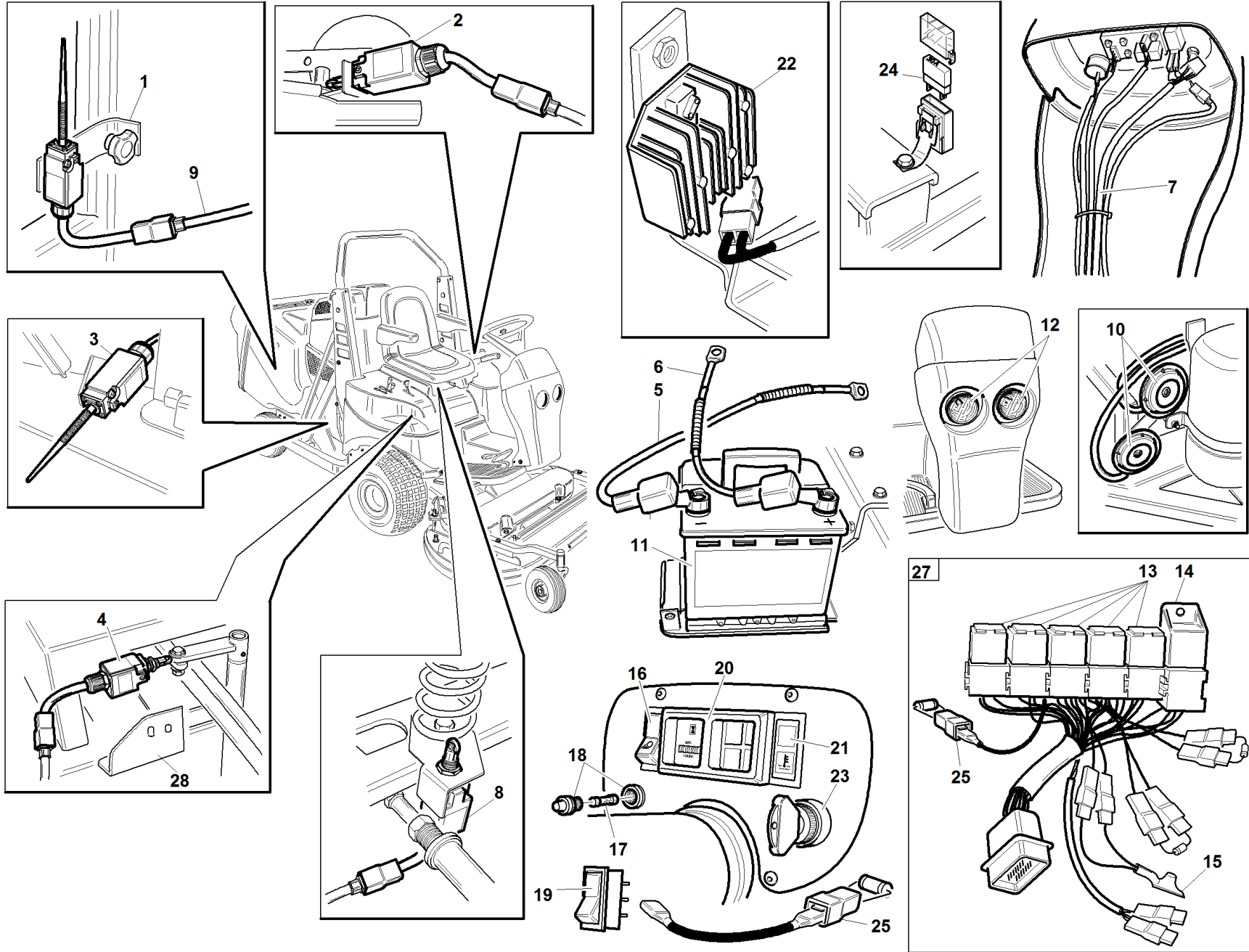
DESCRIPTION

TG 200D

REF. 16- 00555991530

1	94011240000	TG 200 FULL HOPPER WIRED MICRO
2	94012350000	TG200 YANMAR HANDBR.WIR.MICRO
3	94011260000	TG 200 CLOSE HOPPER WIRED MICRO
4	94011270000	HANDBRAKE IN ACTION WIRED MICRO
5	94011280000	TG 200 BATTERY NEGATIVE EARTH CABLE
6	94011290000	TG 200 BATTERY POSITIVE EARTH CABLE
7	94012370000	TG200 YANMAR CENTRAL HARNESS
8	94012340000	TG200 YANMAR SEAT WIRED MICRO
9	94017250000	HOPPER WIRED MICRO EXTENSION
10	00777800022	HORN 12V
11	95599000036	BATTERY 12V 43A
12	00777800137	PROJECTOR
13	00777800035	RELAY 12V 20/30 A
14	00777800098	RELAY 12V 70A
15	00777800150	YANMAR TIMER
16	00777800007	SWITCH
17	00777800154	FUSE 6.3X32
18	00777800153	FUSE BOX
19	00777800146	CLUTCH SWITCH
20	00777800157	HOUR COUNTER + PILOT LIGHTS PANEL
21	00777800159	INSTRUMENT WITH 2 PILOT LIGHTS
22	95599000006	CURRENT LIMITER 20A YANMAR
23	00777800160	TG 200 YANMAR KEY BLOCK
24	00777800149	FUSE 50A
25	00777800161	ELECTRIC DIODE BYW98/200
27	94012360000	TG200 YANMAR RELAYS LINE
28	94010000110	HAND BRAKE SWITCH SUPPORT

TG 200D



S/N

→02063910÷ 04120306←

REF. 16- 00555991527

#

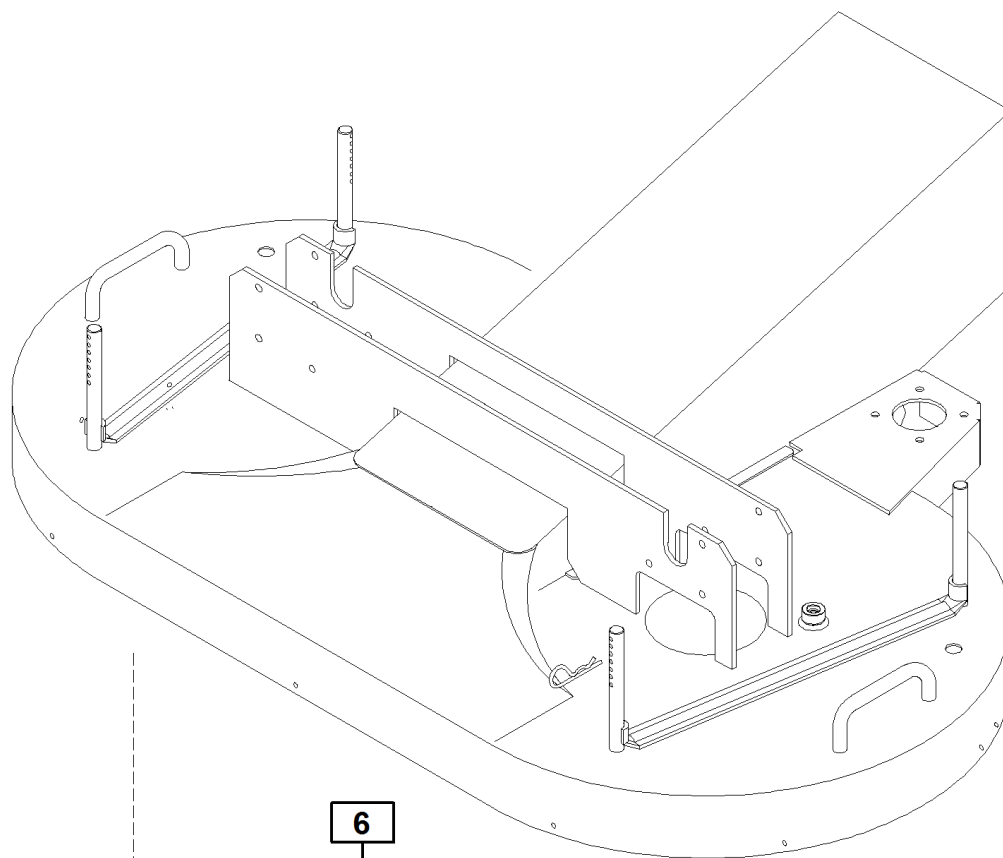
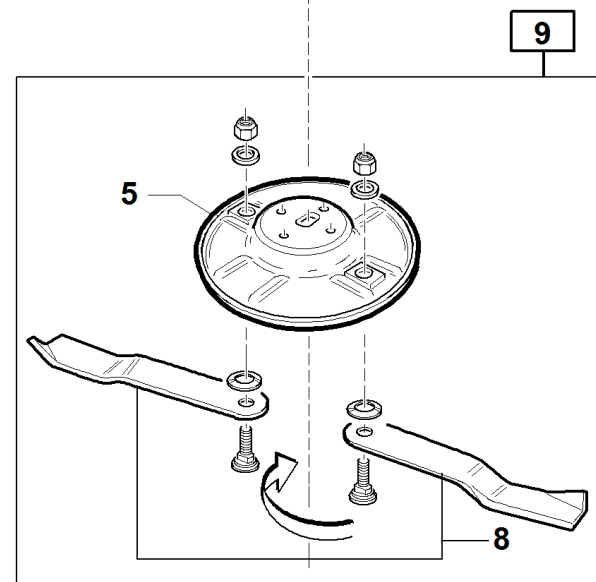
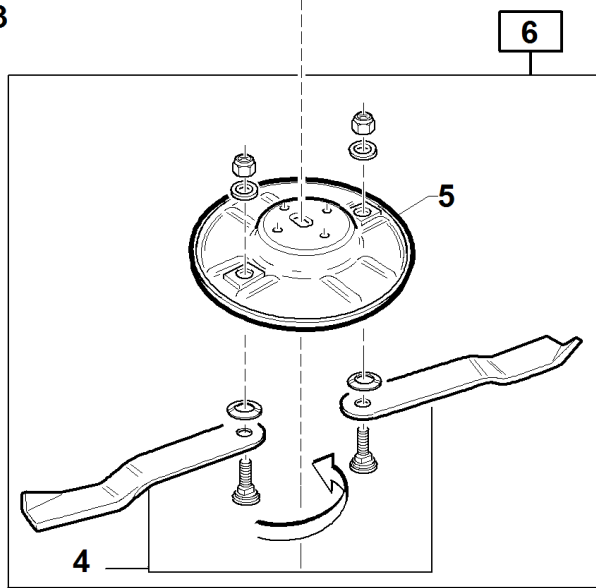
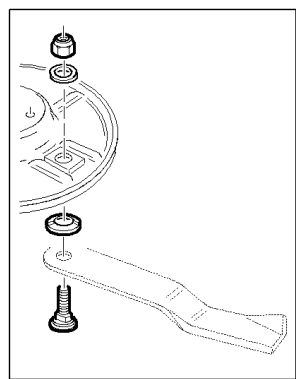
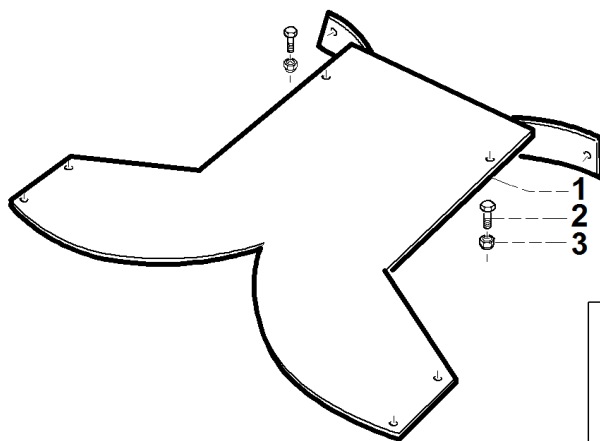
P/N

DESCRIPTION

TG 200D

REF. 16- 00555991527

1	94011240000	TG 200 FULL HOPPER WIRED MICRO
2	94011250000	TG 200 HANDBRAKE WIRED MICRO
3	94011260000	TG 200 CLOSE HOPPER WIRED MICRO
4	94011270000	HANDBRAKE IN ACTION WIRED MICRO
5	94011280000	TG 200 BATTERY NEGATIVE EARTH CABLE
6	94011290000	TG 200 BATTERY POSITIVE EARTH CABLE
7	94012300000	TG 200 YANMAR HARNESS
8	94012320000	TG 200 YANMAR SEAT WIRED MICRO
9	94017250000	HOPPER WIRED MICRO EXTENSION
10	00777800022	HORN 12V
11	95599000036	BATTERY 12V 43A
12	00777800137	PROJECTOR
13	00777800035	RELAY 12V 20/30 A
14	00777800098	RELAY 12V 70A
15	00777800150	YANMAR TIMER
16	00777800007	SWITCH
17	00777800154	FUSE 6.3X32
18	00777800153	FUSE BOX
19	00777800146	CLUTCH SWITCH
20	00777800157	HOUR COUNTER + PILOT LIGHTS PANEL
21	00777800159	INSTRUMENT WITH 2 PILOT LIGHTS
22	95599000006	CURRENT LIMITER 20A YANMAR
23	00777800160	TG 200 YANMAR KEY BLOCK
24	00777800149	FUSE 50A
25	00777800161	ELECTRIC DIODE BYW98/200
27	94012310000	TG200 YANMAR LINE RELAIS
28	94010000110	HAND BRAKE SWITCH SUPPORT



#

P/N

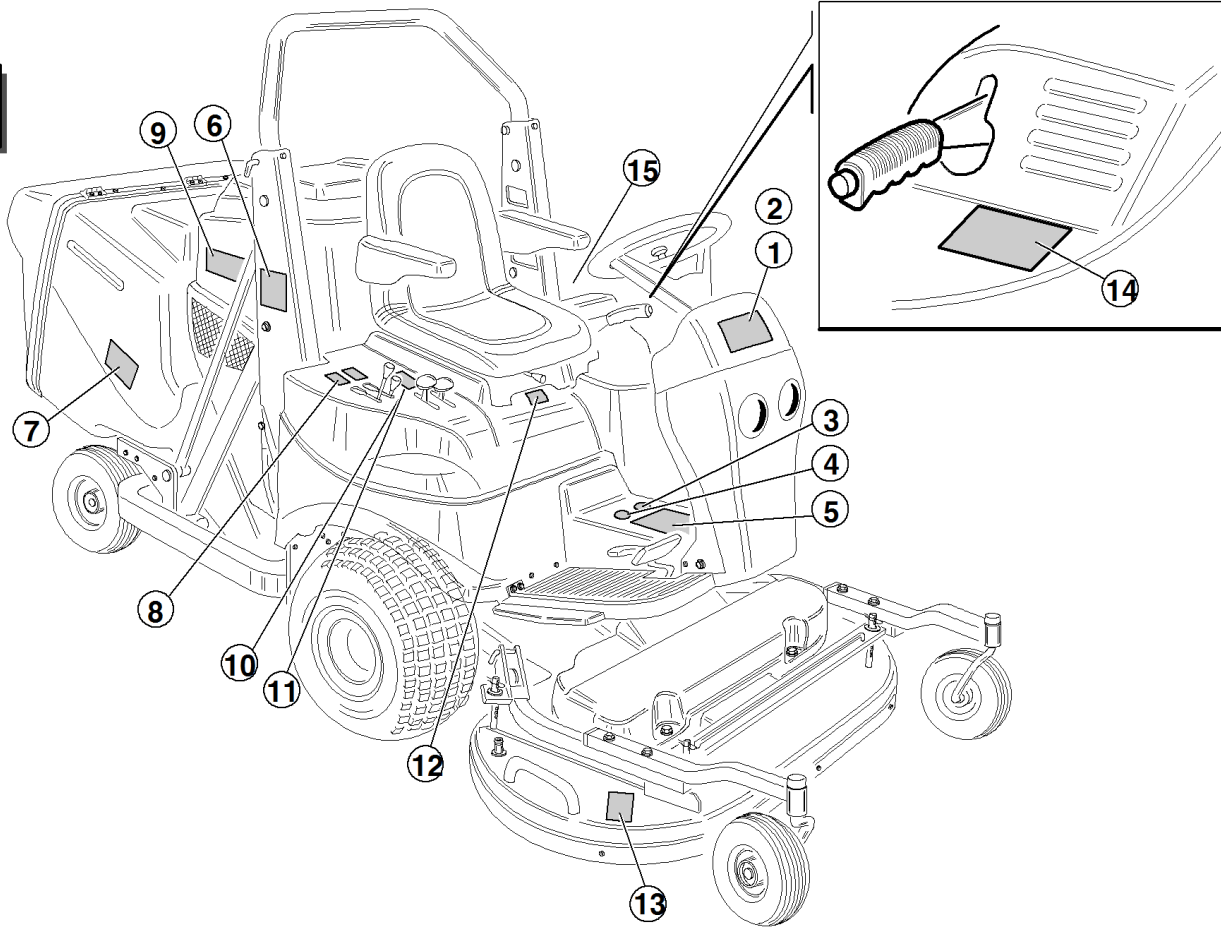
DESCRIPTION

TG 200

REF. 17- 00555991529

1	94018100000	TG200 MULCHING CLOSING
2	00111300002	SCREW TE M6X12
3	00111000035	SELF BLOC. NUT M6
4	95121120000	COUPLE MULCHING 1200 RIGHT KNIFE L= 225
5	95006500000	BLADES DISC
6	94018110000	TG200 RIGHT MULCHING DISC
7	95599320000	COMPLETE BLADE SCREW TG200 AND GT
8	95121130000	COUPLE MULCHING 1200 LEFT KNIFE L=225
9	94018120000	TG200 LEFT MULCHING DISC

TG 200



1



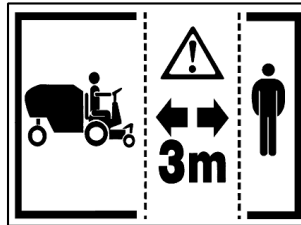
2



5



6



7



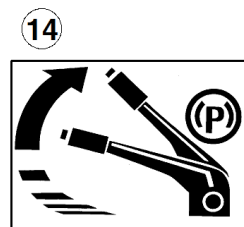
3



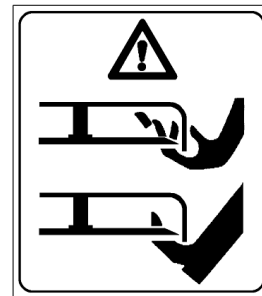
4



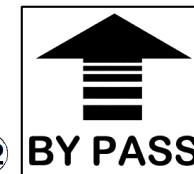
15



14



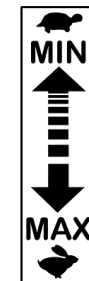
13



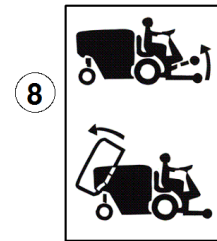
12



11



10



8



9

#

P/N

DESCRIPTION

TG 200

REF. 18- 00555991541

1	00555200106	TRANSFER PRINTING "TG200 DIESEL"
2	00555200105	TRANSFER PRINTING
3	00555200130	TRANSFER PRINTING EYE PROTECTION
4	00555200129	TRANSFER PRINT.HEARING PROTEC.
5	00555200061	DANGER TRANSFER PRINTING
6	00555200119	TRANSFER PRINTING
7	00555200018	TRANF. KEEP AWAY
8	00555200125	TRANSFER PRINTING
9	00555200165	YELLOW GIANNI FERRARI TRANSF. PRINTING
10	00555200127	TRANSFER PRINTING
11	00555200126	TRANSFER PRINTING
12	00555200124	TRANSFER PRINTING
13	00555000029	TRANSFER PRINTING MOWER DECK
14	00555200128	TRANSFER PRINTING BRAKE
15	00555200114	TRANSFER PRINTING "DIESEL"

www.gianniferrari.com

Advanced Groundcare Solutions™

**COMPANY WITH QUALITY
MANAGEMENT SYSTEM CERTIFIED BY DNV
= UNI EN ISO 9001:2008 =**



**Gianni
Ferrari**

GIANNI FERRARI S.r.l.

Via Vespucci ,53 (z.ind. Ranaro)
42046 Reggiolo (Reggio Emilia) Italy
Tel. +39.0522.973697 - Fax +39.0522.973707
e-mail: info@gianniferrari.com



OFFICINE BIEFFEBI S.p.A.

Via dell'Artigianato ,7
46023 Gonzaga (Mantova) Italy
Tel. +39.0376.52641 - Fax +39.0376.588270
e-mail: bieffebi@gianniferrari.com